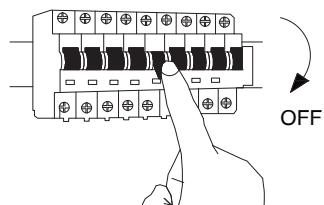


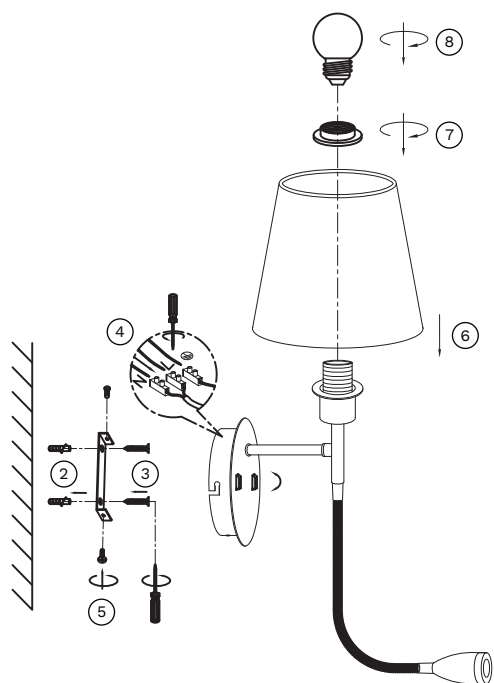
# NOVA LUCE

9182371, 9182372

1

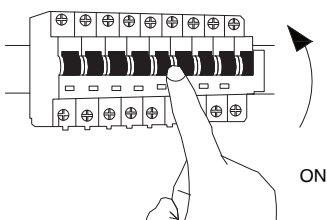


Turn off the general switch



2. Drill holes & apply plastic anchors
3. Tie up screws
4. Connect the wires
5. Apply side screws by tying them up
6. Place the cap into place
7. Tie up the ring into place
8. Insert the bulb by rotate

9



Turn on the general switch

