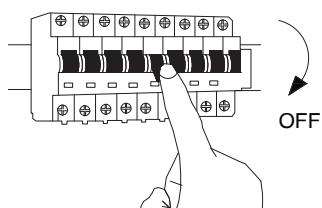


NOVA LUCE

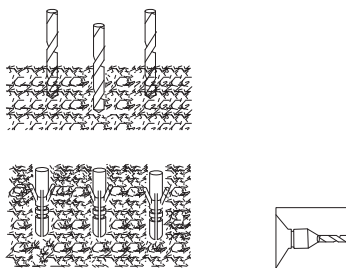
9136428

1



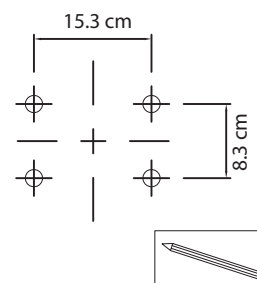
Turn off the general switch

2



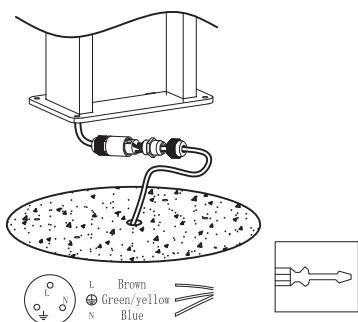
Drill holes & apply anchors

3



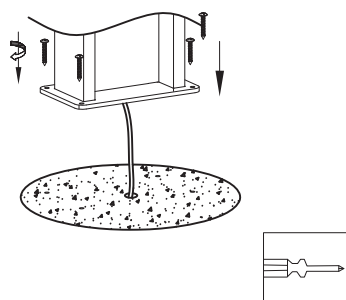
Mark holes

4



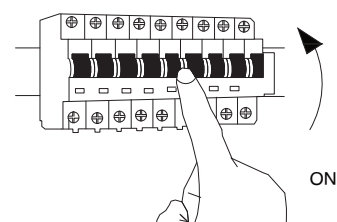
Connect wires

5



Fix the base into place
by applying screws

6



Turn on the general switch

7

