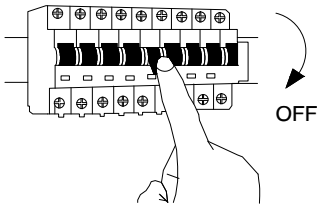
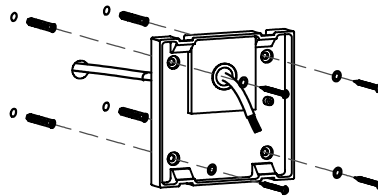


1



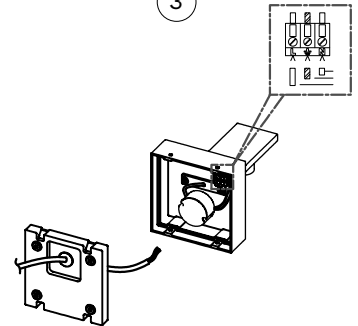
Turn off the general switch

2



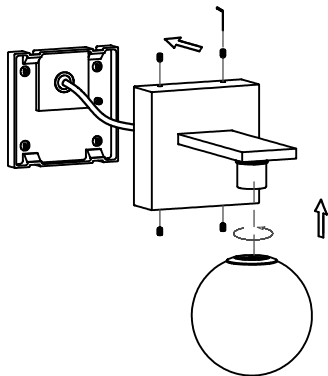
Apply screws

3



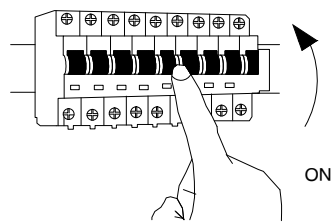
Connect wires

4



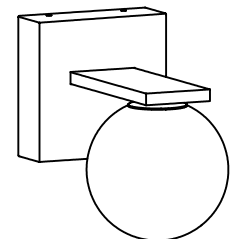
Apply side screws to fix it into base  
& insert bulb by rotating

5



Turn on the general switch

6



Turn on the light

