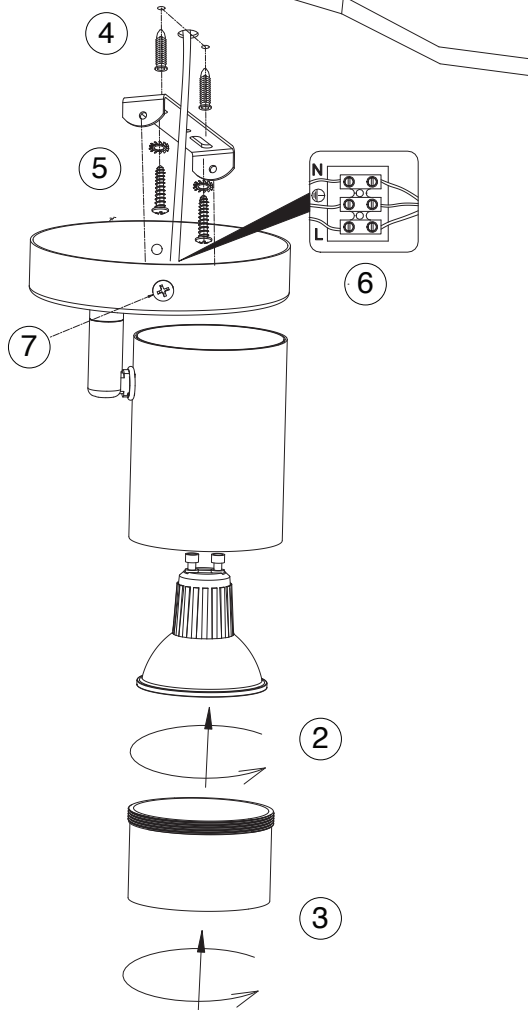
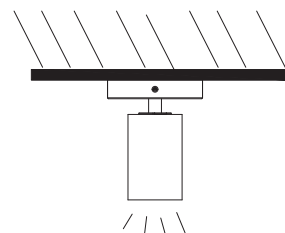
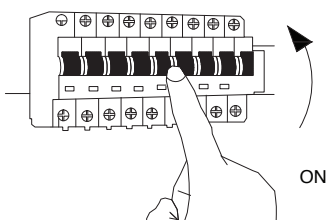


1. Turn off the general Switch



2. Insert the bulb by rotating
3. Fix the cap into place, by tidying it up
4. Mark & drill holes & Apply plastic anchors
5. Apply screws to make it stable
6. Connect wires
7. Apply side screws



8. Turn on the General Switch