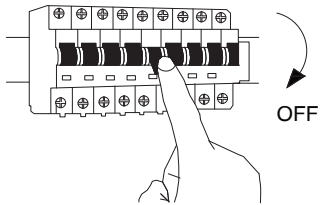


NOVA LUCE

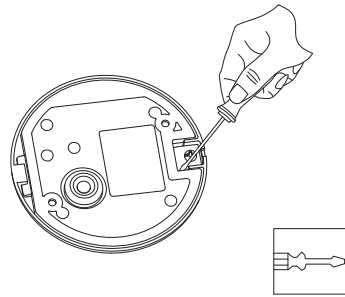
9136410 9136411
9136412 9136413
9136414 9136415

1



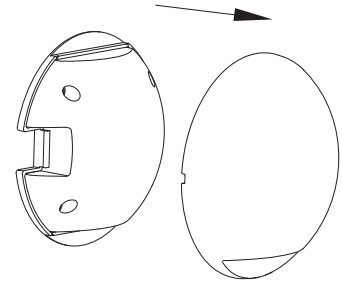
Turn off the general switch

2



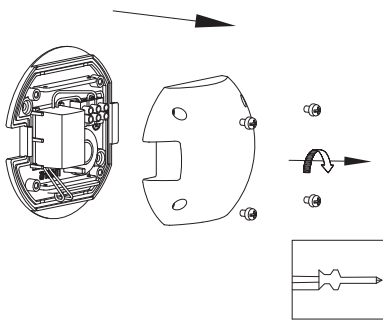
Pry open the cap with tool

3



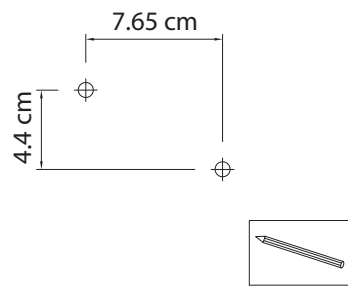
Remove the cap

4



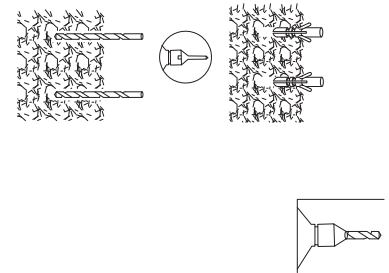
Dismantle parts
by untying the screws

5



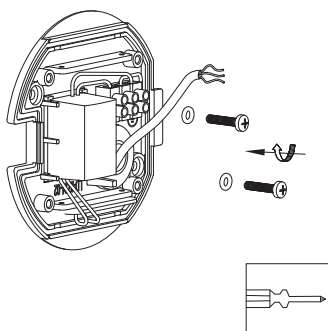
Mark holes

6



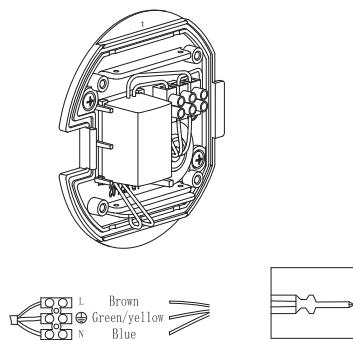
Drill holes & apply plastic anchors

7



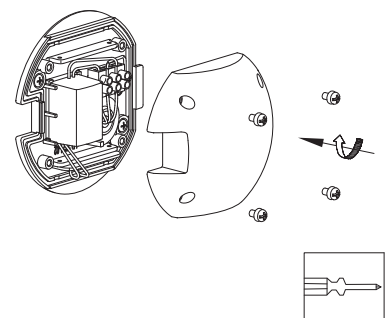
Tie up screws

8



Connect wires

9



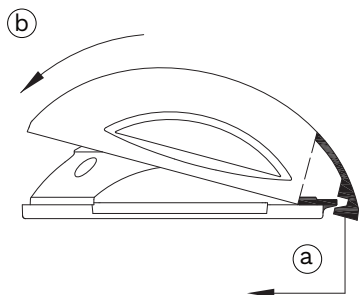
Assemble parts
by tying up screws



NOVA LUCE

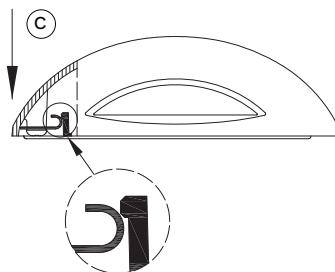
9136410 9136411
9136412 9136413
9136414 9136415

10



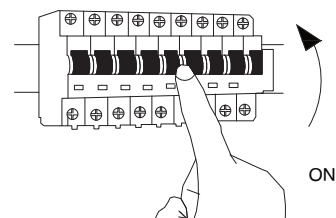
Apply the cap
by clicking it into place

11



Make it stable by securing it

12



Turn on the general switch

13

