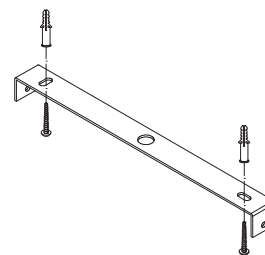
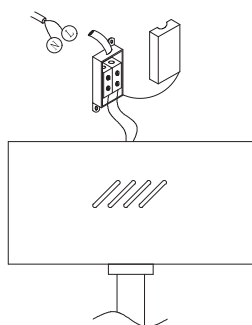


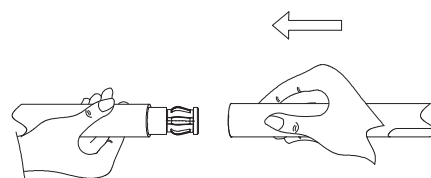
1. Turn off the general switch



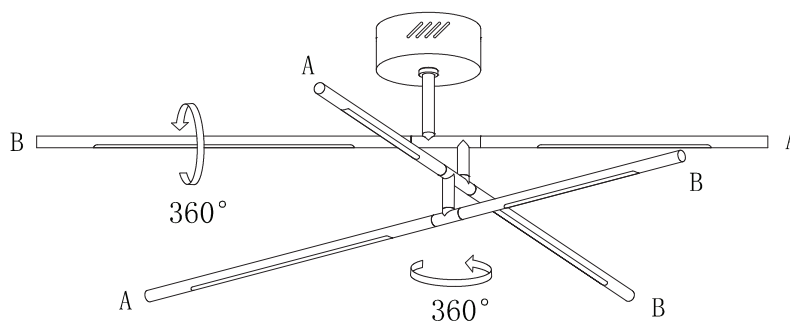
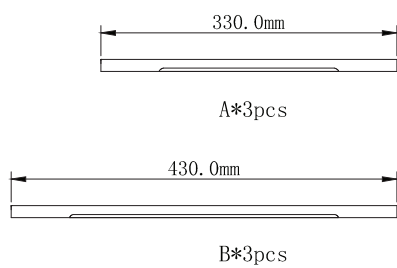
2. Apply plastic anchors & screws



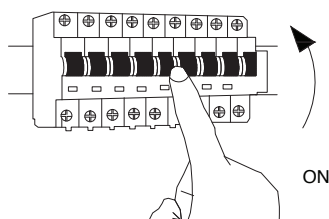
3. Connect the wires



4. Connect it together



5. By rotating connect them together



6. Turn on the general switch