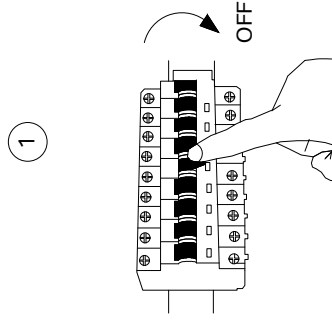


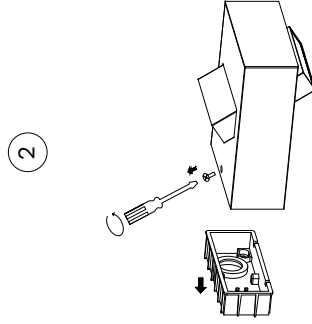
NOVA LUCE

9020926



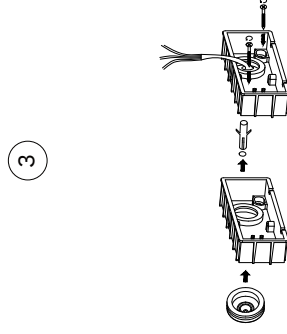
1

Turn off the general switch



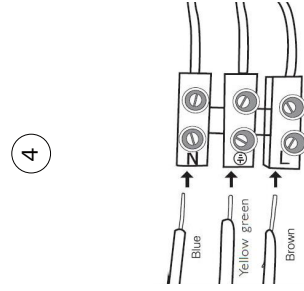
2

Dismantle the product



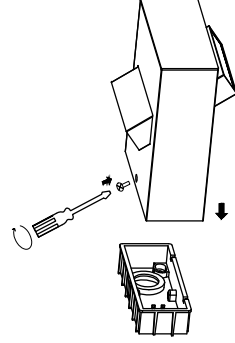
3

Drill holes & apply plastic anchors
with screws



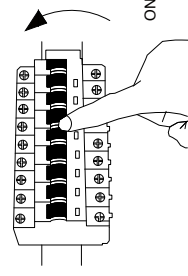
4

Connect the wires



5

Apply screws



6

Turn off the general switch

