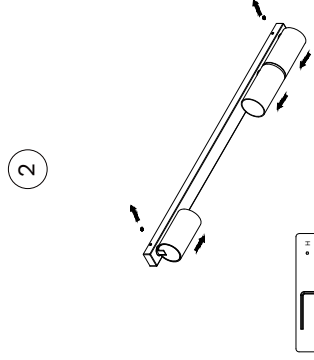
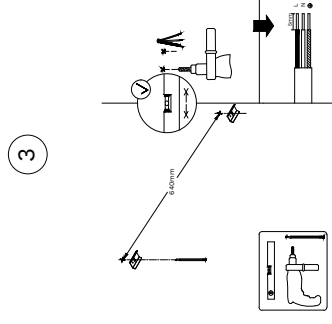


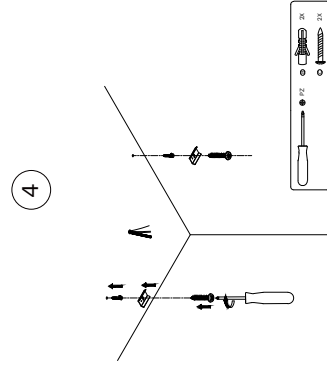
Turn off the general switch



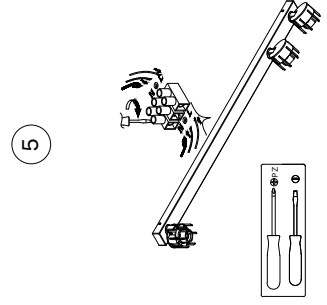
Dismantle the product



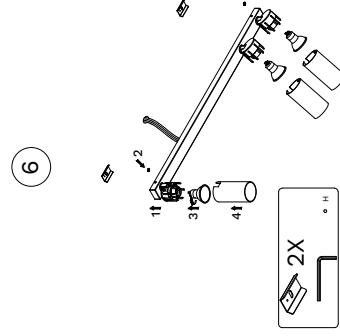
Drill holes



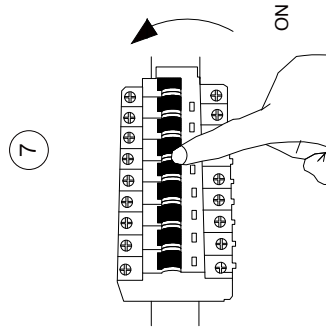
Apply plastic anchors with screws



Connect wires



Apply the elements in to place



Turn on the general switch

