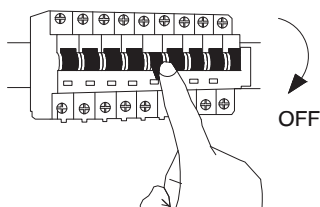
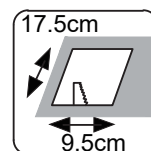
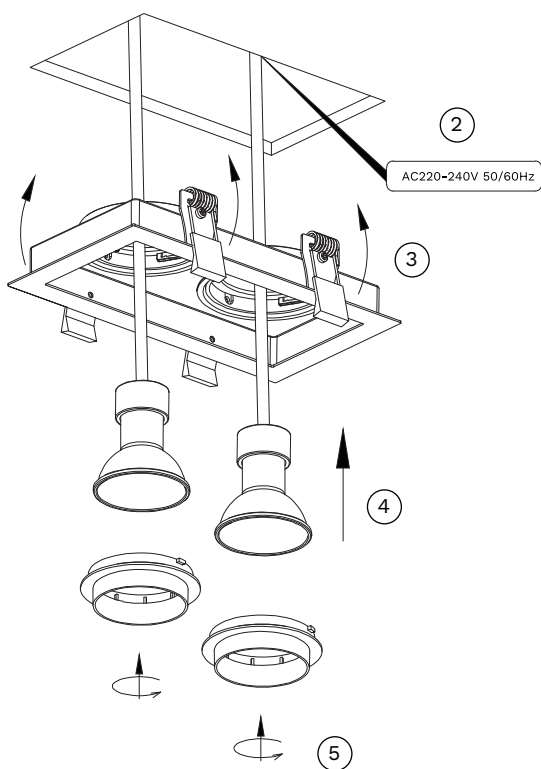


1

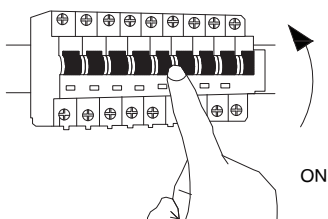


Turn off the general switch



2. Make the Cut Out
3. Apply the product in to place
4. Apply the light
5. Apply the caps

6



Turn on the general switch

