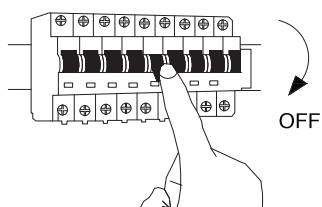


# NOVA LUCE

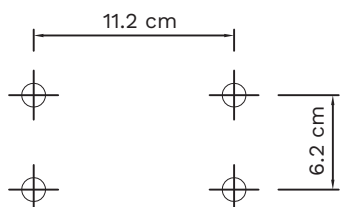
9136429 9136430

1



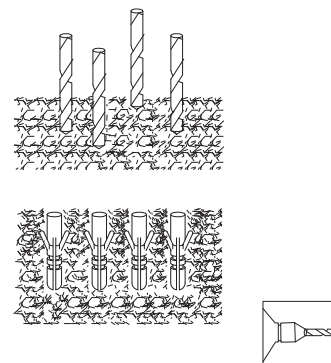
Turn off the general switch

2



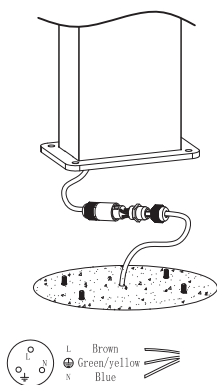
Mark holes

3



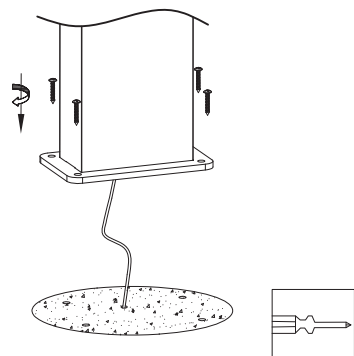
Drill holes & apply anchors

4



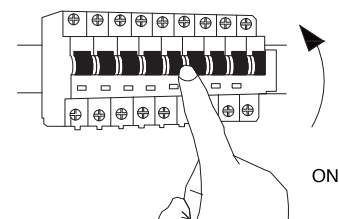
Connect wires

5



Fix it into place by tying up screws

6



Turn on the general switch

