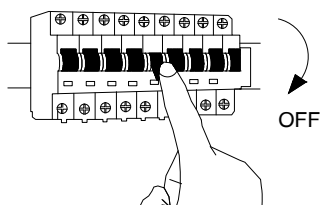
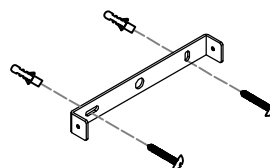


NOVA LUCE

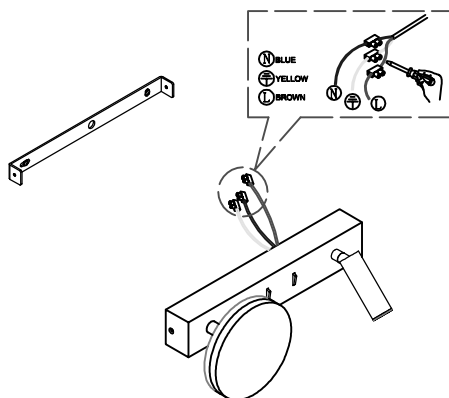
9540256



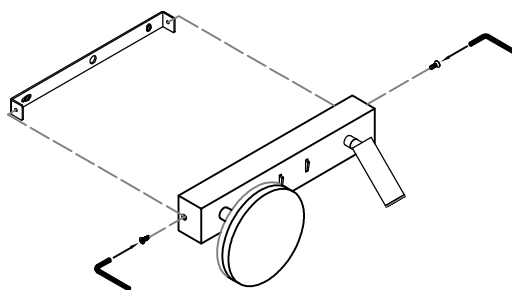
1. Turn off the general switch



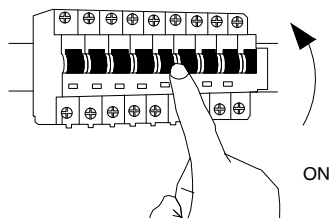
2. Drill holes, apply plastic anchors with screws



3. Connect the wires & put it in place



4. Apply side screw to connect parts



5. Turn on the general switch

