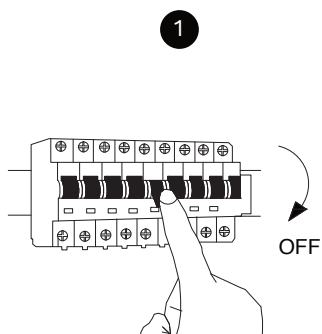
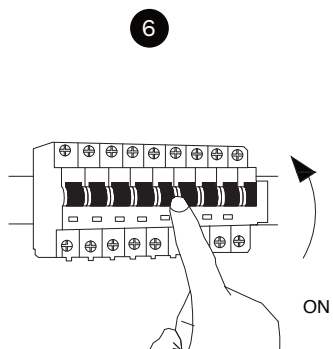


# NOVA LUCE

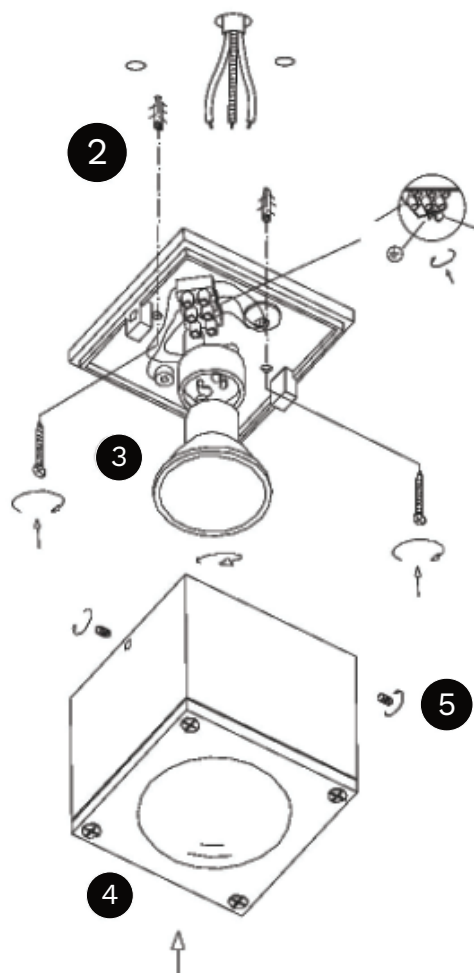
9020022 9040022



Turn off the general switch



Turn on the general switch



1. Turn off the general switch
2. Drill holes & apply plastic anchors with screws
3. Connect the wires & insert the bulb

4. Apply the cap in place
5. & apply the side screws
6. Turn on the general switch

