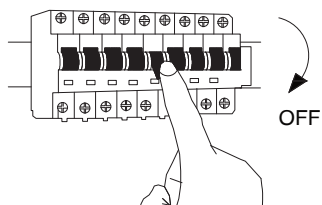


# NOVA LUCE

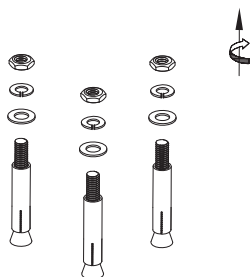
9136420

1



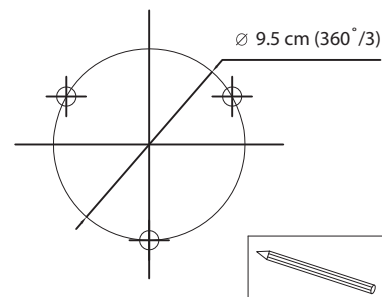
Turn off the general switch

2



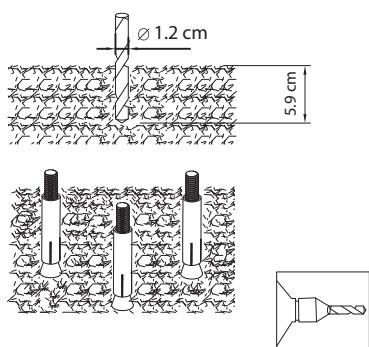
Dismantle parts

3



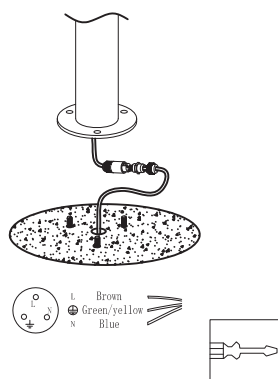
Mark holes

4



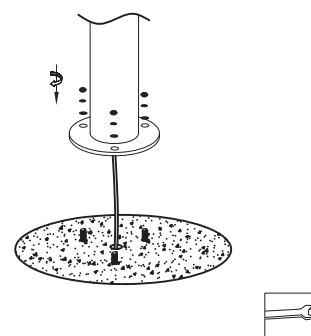
Drill holes & apply anchors

5



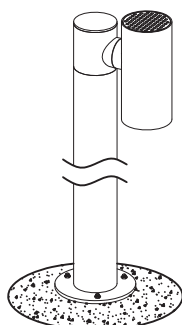
Connect wires

6



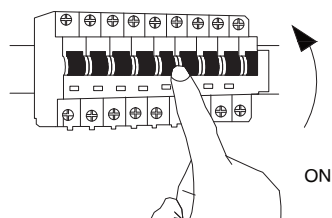
Place the washers onto place

7



Fix it in place by tying up nuts

8



Turn on the general switch

9

