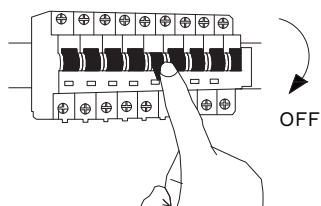
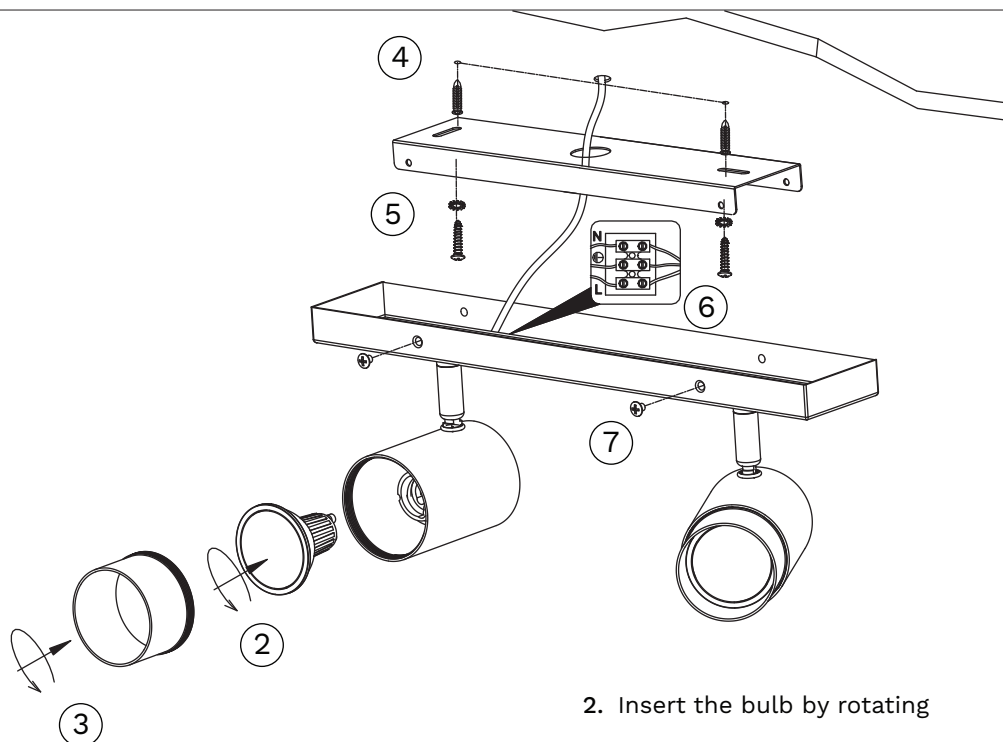


1

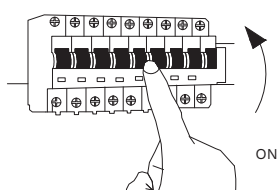


Turn off the general Switch



2. Insert the bulb by rotating
3. Fix the cap into place, by tidying it up
4. Mark & drill holes & apply plastic anchors
5. Apply nuts & tie up screws to make it stable
6. Connect wires
7. Apply side screws

8



Turn on the general Switch

9

