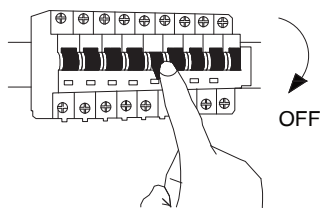


NOVA LUCE

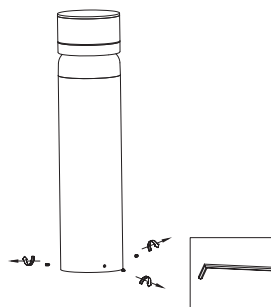
9136445

1



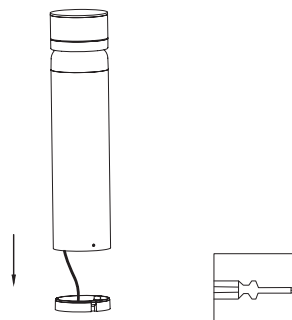
Turn off the general switch

2



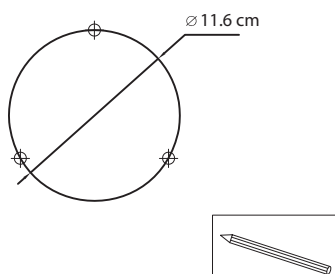
Dismantle parts by untying screws

3



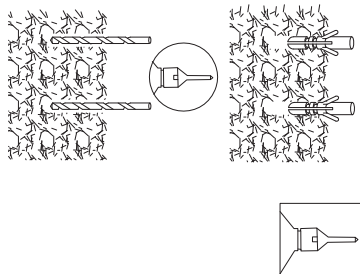
Remove from the base

4



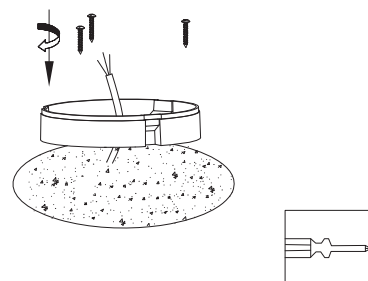
Mark holes

5



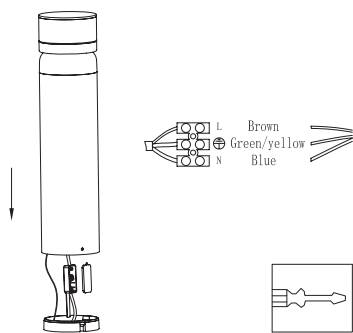
Drill holes & apply anchors

6



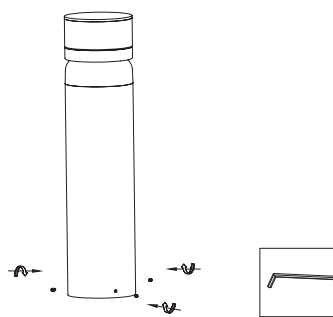
Tie up screws

7



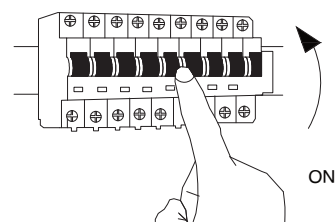
Connect wires

8



Tie up screws to make it stable

9



Turn on the general switch

