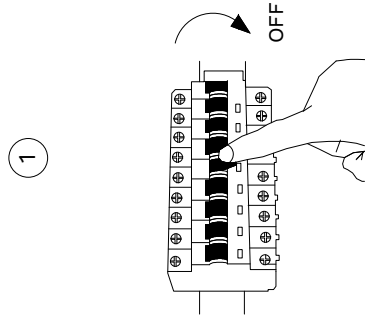


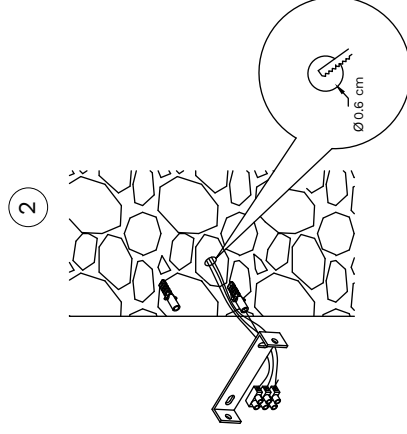
NOVA LUCE

9136180, 9136181



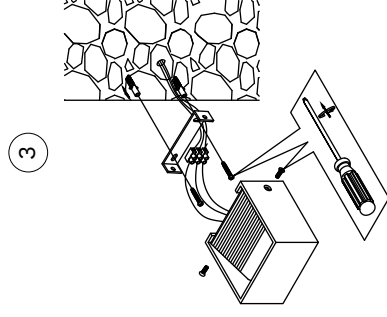
1

Turn off the general switch



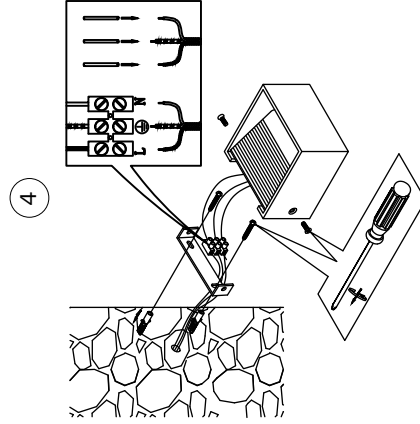
2

Create a CutOut



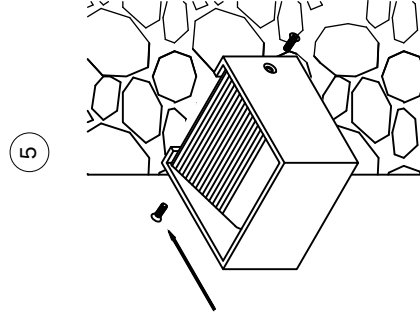
3

Mark, drill holes,
Apply plastic anchors
& Tie up screws



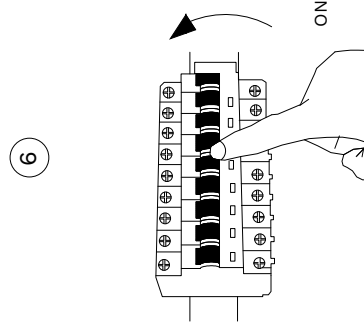
4

Connect wires



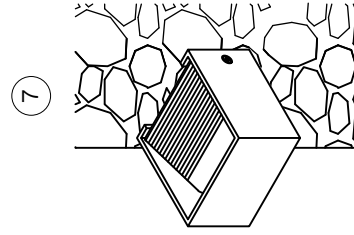
5

Apply the part into place
By tying up the side screws



6

Turn on the general switch



7

