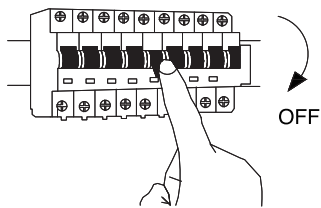
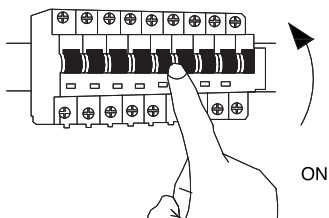


1

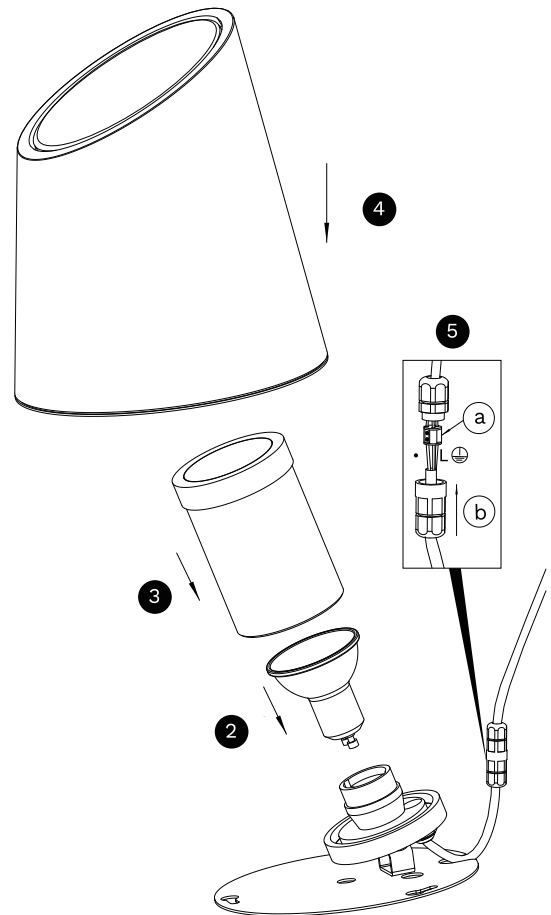


Turn off the general switch

6



Turn on the general switch



1. Turn off general switch
2. Apply the bulb in to place
3. Apply the element
4. Apply the cap
5. Connect the wires
6. Turn on the general switch

