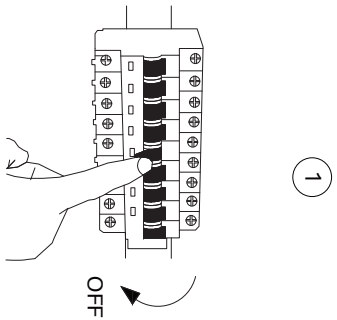
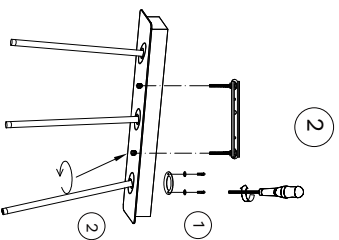


NOVA LUCE

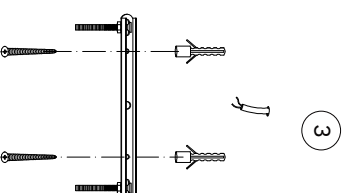
9232154



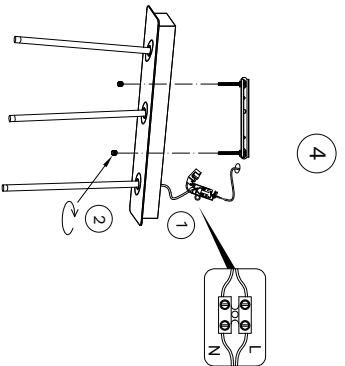
Turn off the general switch



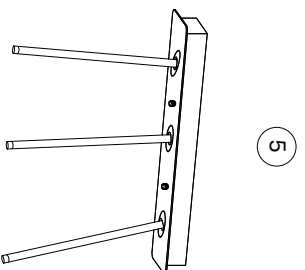
Unscrew the screws from the rosette and take out the bracket.



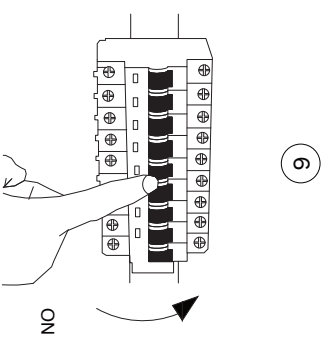
Apply plastic anchors & Apply the screws



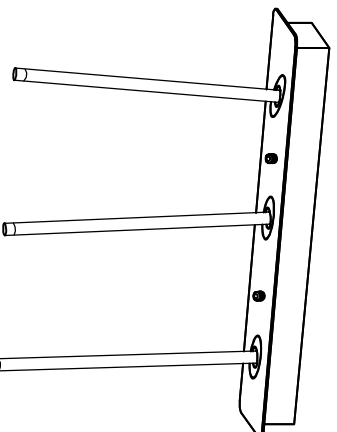
Connect the 3 wires.
Place the brackets and apply the side screws.



Rotate to the angle you like.



Turn on the general switch



2 options

