

# NOVA LUCE

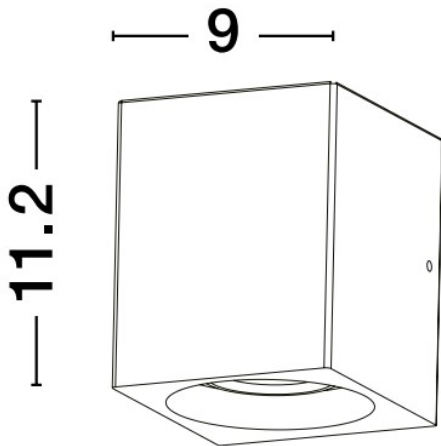
PRODUCT DATASHEET

Version: 001

## PRODUCT PHOTOGRAPH



## TECHNICAL DRAWING



## GENERAL INFORMATION

|                         |         |
|-------------------------|---------|
| Product Code            | 9540209 |
| Collection              | Outdoor |
| Product Category        | Wall    |
| Product Family          | EMILE   |
| Mounting Location       | Wall    |
| Application Environment | Outdoor |

## DIMENSION & WEIGHT

|              |                     |
|--------------|---------------------|
| LxWxH (cm)   | L: 9 W: 9,7 H: 11,2 |
| Cut out (cm) | N/A                 |
| Weight (Kgr) | 1.3                 |

## MATERIAL & COLOR

|               |              |
|---------------|--------------|
| Product Color | Grey         |
| Body Material | Cement-Glass |

## APPLICATION & MOUNTING

|                            |                   |
|----------------------------|-------------------|
| Ambient Working Temp.      | (-15°C) ~ (+60°C) |
| Type of Protection         | IP65              |
| Dimmable                   | No                |
| Type of Dimming (Optional) | N/A               |
| Mounting type              | Surface           |
| Mounting Depth (cm)        | N/A               |
| Led Module Replaceable     | No                |
| Light Source               | LED               |

NOVA LUCE S.A

Schimatari Viotias  
32009, Greece

+30 22620 58 121  
+30 22620 56 743

info@novaluce.com  
www.novaluce.com



# NOVA LUCE

---

## PRODUCT DATASHEET

Version: 001

---

### ELECTRICAL DATA

|                         |                   |
|-------------------------|-------------------|
| Power (Nominal)         | <b>5W</b>         |
| Input voltage (Nominal) | <b>220-240Vac</b> |
| Mains Frequency         | <b>50/60Hz</b>    |

### PHOTOMETRICAL DATA

|                           |                   |
|---------------------------|-------------------|
| Luminous Flux             | <b>200 lm</b>     |
| Color Temperature         | <b>3000K</b>      |
| Light Color (Designation) | <b>Warm White</b> |

### WARRANTY

|          |                |
|----------|----------------|
| Warranty | <b>3 Years</b> |
|----------|----------------|

### CERTIFICATES

|              |                |
|--------------|----------------|
| Certificates | <b>CE,UKCA</b> |
|--------------|----------------|

