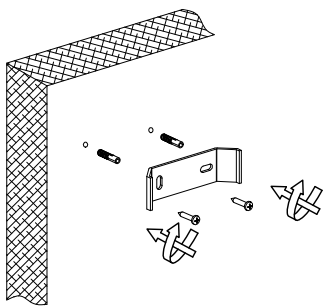
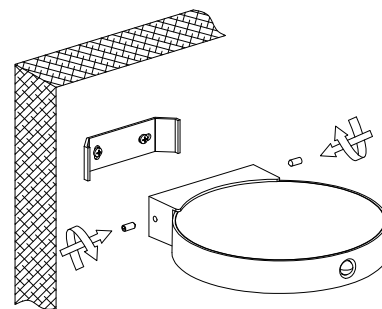


1. Untie side screws

---



2. Tie up screws to make base stable



3. Tie up screws

---

