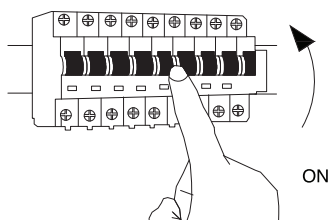
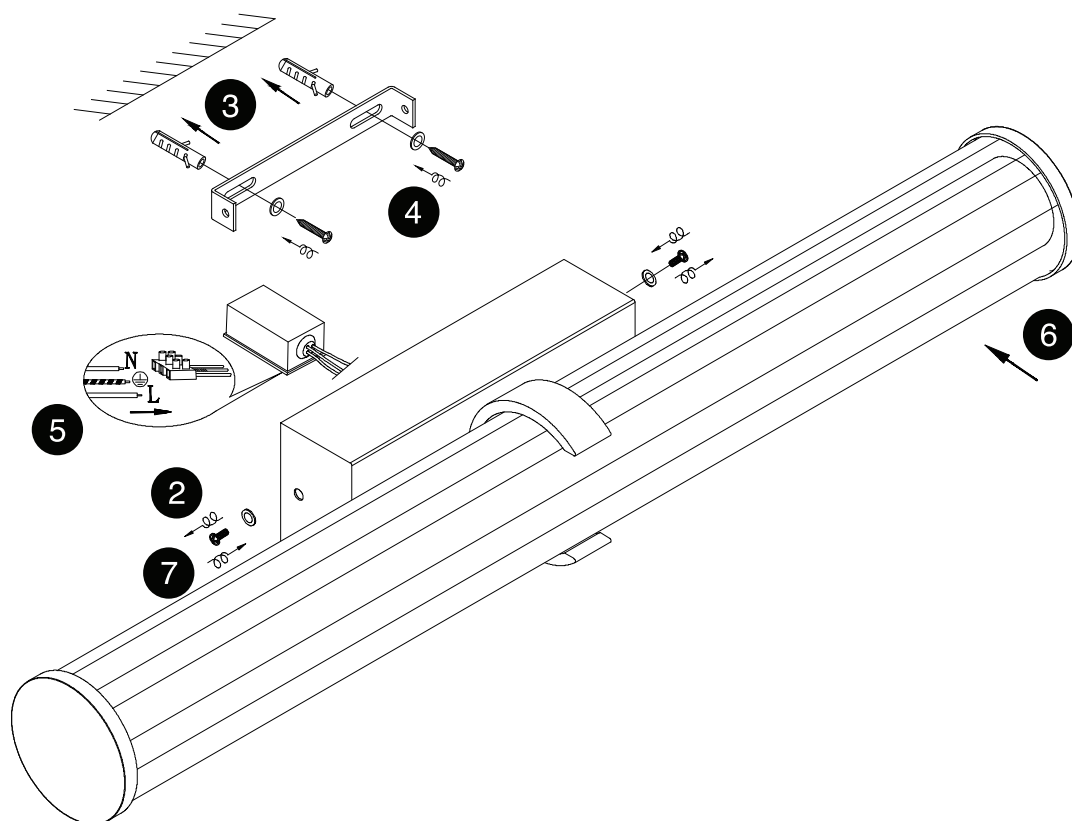


1



8

1. Turn off the general switch
2. Drill holes
3. Apply plastic anchors
4. Apply screws
5. Connect the wires
6. Apply the product on the wall
7. Tight it up with the top screws
8. Turn on the general switch