

NOVA LUCE

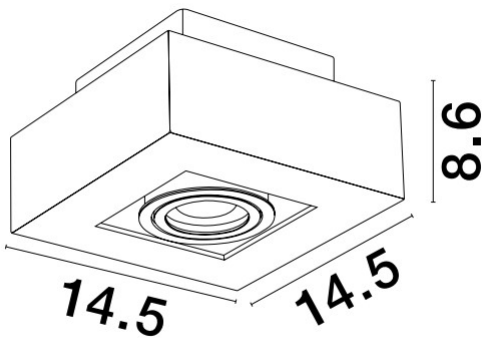
PRODUCT DATASHEET

Version: 001

PRODUCT PHOTOGRAPH



TECHNICAL DRAWING



COMPATIBLE WITH

— On/Off Driver: N/A

— Triac Driver: N/A

— Dali Driver: N/A

GENERAL INFORMATION

Product Code	9030432
Product Category	Ceiling GU10
Product Family	Robin
Mounting Location	Ceiling
Application Environment	Indoor

DIMENSION & WEIGHT

LxWxH (cm)	L: 14,5 W: 14,5 H: 8,6
Cut out (cm)	0
Weight (Kgr)	0.69

MATERIAL & COLOR

Product Color	Black
Body Material	Aluminium
Cover Material	N/A

APPLICATION & MOUNTING

Ambient Working Temp.	45 C
Type of Protection	IP20
Protection Class IK	IK03
Dimmable	N/A
Type of Dimming (Optional)	N/A
Mounting type	Surface
Mounting Depth (cm)	Ceiling
Led Module Replaceable	Yes
Light Source	LED GU10 / MR16
Adjustable	No

NOVA LUCE S.A

Schimatari Viotias
32009, Greece

+30 22620 58 121
+30 22620 56 743

info@novaluce.com
www.novaluce.com



NOVA LUCE

PRODUCT DATASHEET

Version: 001

ELECTRICAL DATA

Power (Nominal)	max 10 W
Input voltage (Nominal)	N/A
Mains Frequency	50/60Hz
Output voltage	N/A
Output Current	N/A
Power Factor	N/A
Efficiency	N/A
SVM	N/A
Pst	N/A
Class	N/A

PHOTOMETRICAL DATA

Luminous Flux	N/A
Luminous Efficacy	N/A
Color Temperature	N/A
Light Color (Designation)	N/A
CRI	N/A
SDCM	N/A
Beam Angle	N/A
UGR	N/A

LIFESPAN

Lifetime	N/A
----------	------------

CERTIFICATES

Certificates	CE, UKCA
--------------	-----------------

WARRANTY

Warranty	5 years
----------	----------------

LIGHT DISTRIBUTION

NOVA LUCE S.A

Schimatari Viotias
32009, Greece

+30 22620 58 121
+30 22620 56 743

info@novaluce.com
www.novaluce.com

