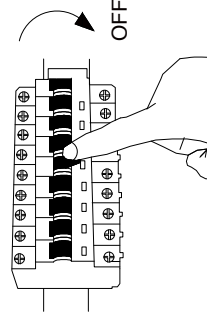
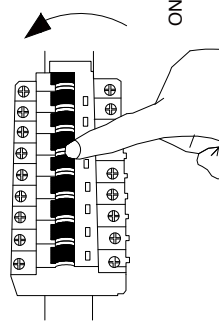


1

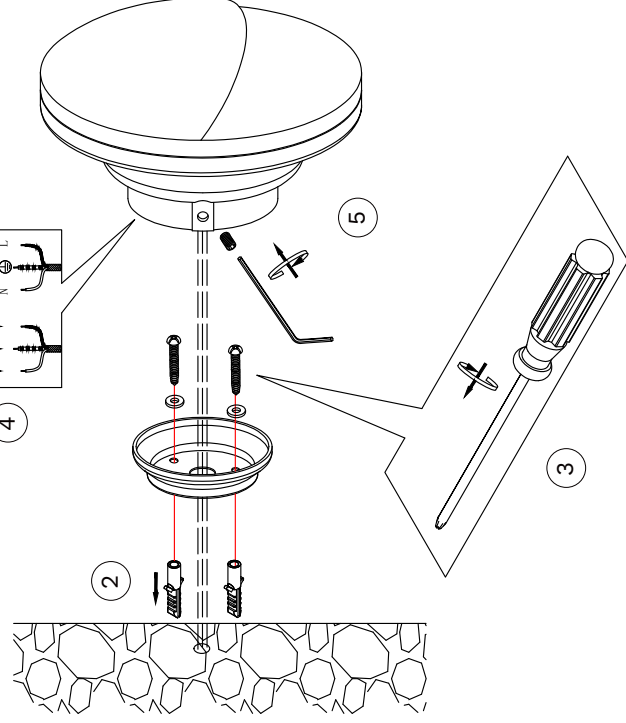


Turn off the general switch

6



Turn on the general switch



1. Turn on the general switch

2. Drill holes & apply plastic anchors with screws

3. Tight them up

4. Connect the wires

5. Apply the screws to make it stable

6. Turn on general switch

