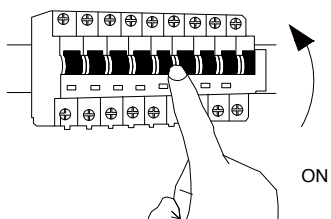


①

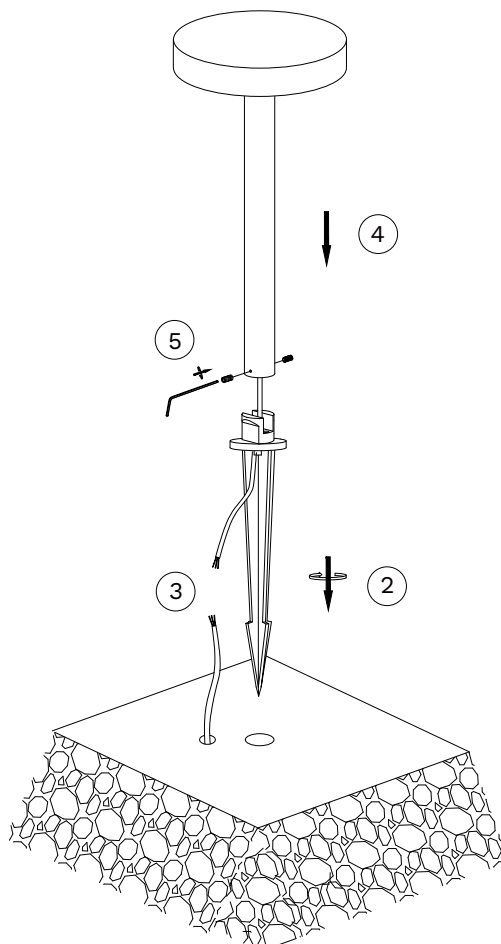


Turn off the general switch

⑥



Turn on the general switch



1. Turn on the general switch
2. Drill & apply the spike in to the ground
3. Connect the wires

4. Put it in place
5. Apply the side screws
6. Turn on general switch

