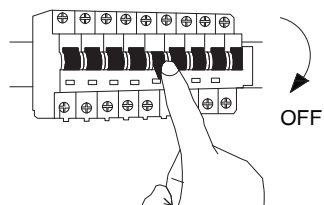
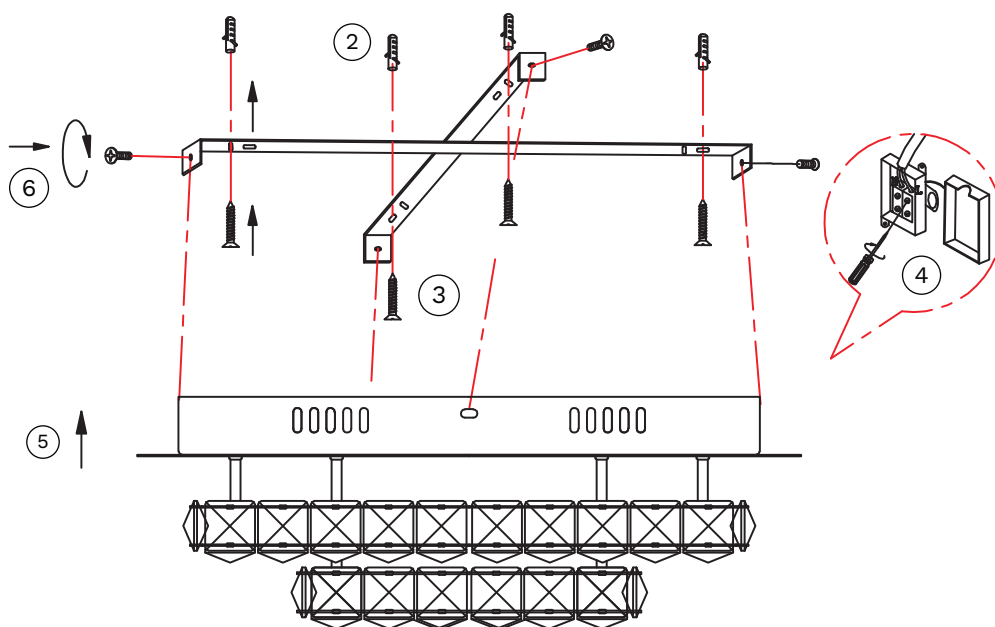


1

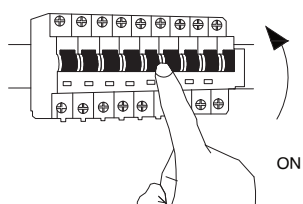


Turn off the general switch



- 2. Drill holes & apply plastic anchors
- 3. Tie up screws to make it stable
- 4. Connect the wires
- 5. Fix luminaire into place
- 6. Tie up side screws to make it stable

8



Turn on the general switch

