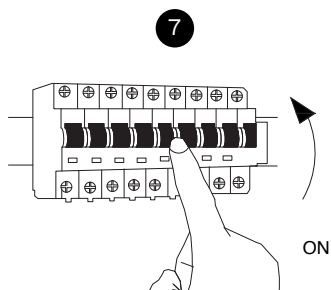
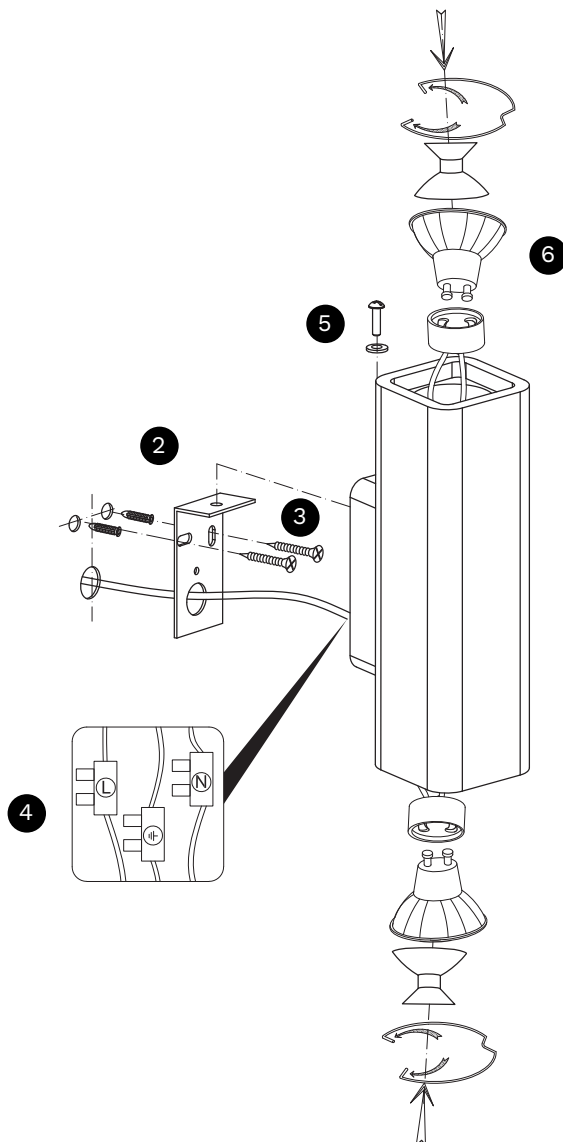


Turn off the general switch



Turn on the general switch



1. Turn off the general switch
2. Drill holes apply plastic anchors with screws
3. Apply screws
4. Connect wires
5. Apply screws in place
6. Apply bulb
7. Turn on the general switch

