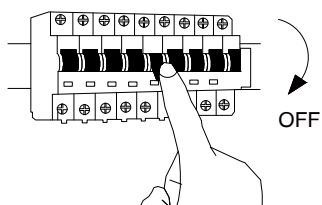
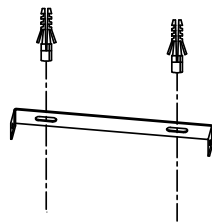


1



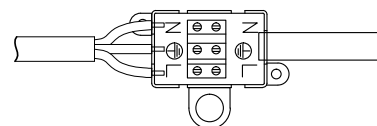
Turn off the general switch

2



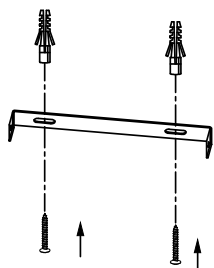
Align, mark & drill holes
& apply plastic anchors

3



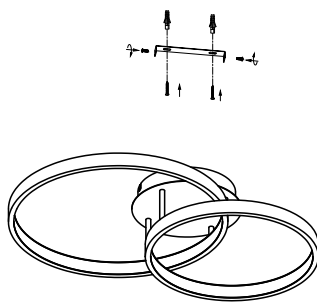
Connect wires

4



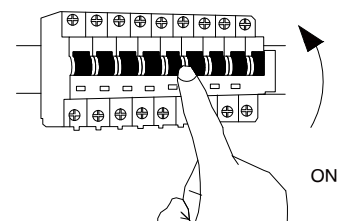
Tie up screws

5



Tie up side screws
to fix it in place

6



Turn on general switch

7

