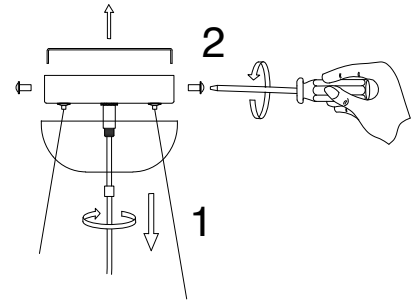
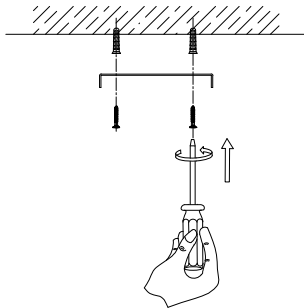


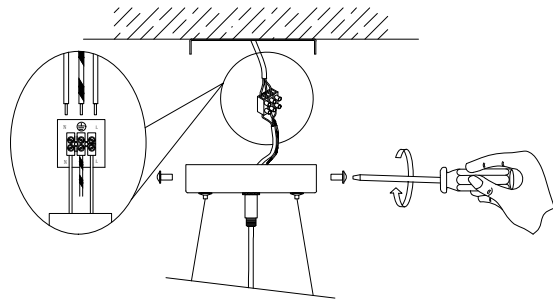
1. Turn off the general switch



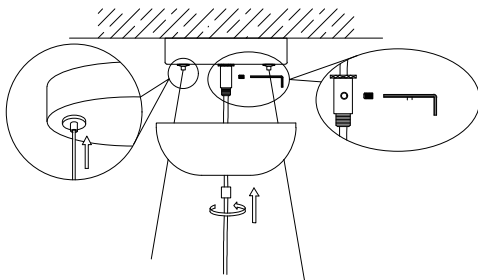
2. Untight the screws



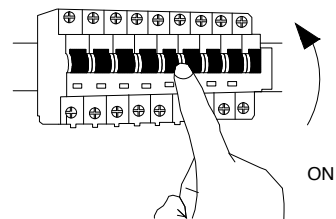
3. Drill holes & apply plastic anchors  
With screws



4. Connect the wires



5. Tight the screws up  
& Place the canopy in place



6. Turn on the general switch

