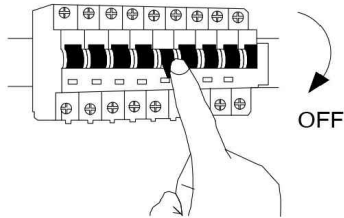


# NOVA LUCE

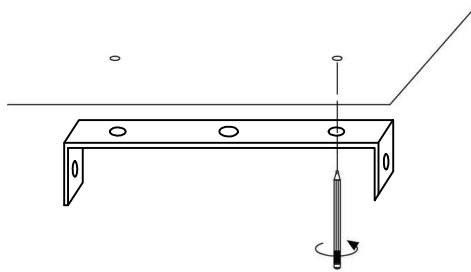
9190210

1



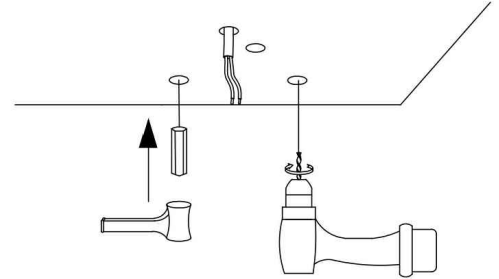
Turn off the general switch

2



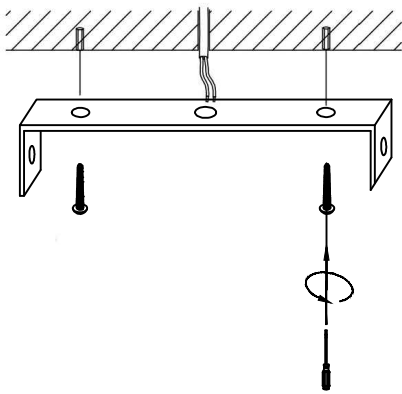
Mark where to drill holes

3



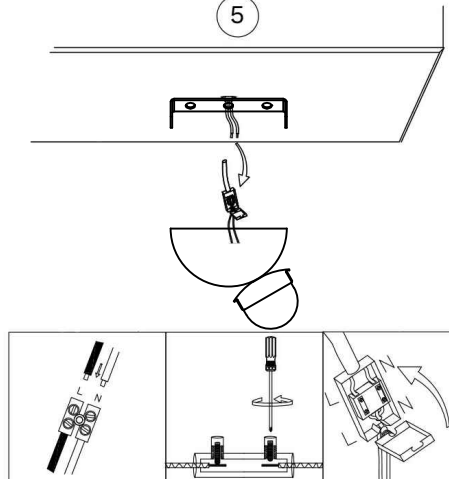
Make holes & apply anchors

4



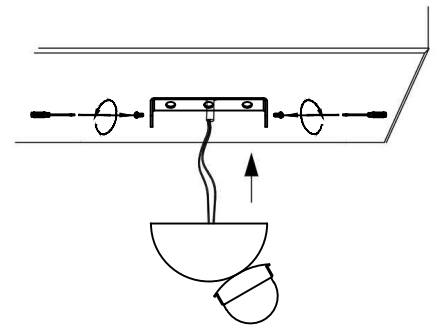
Tie up the screws  
to make it stable

5



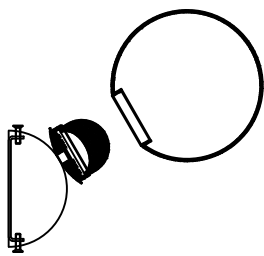
Connect the wires

6



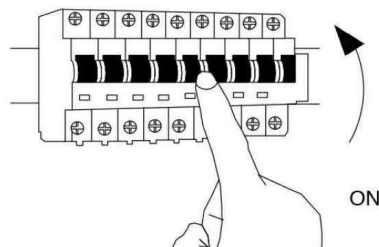
Put the canopy in place  
& Apply screws

7



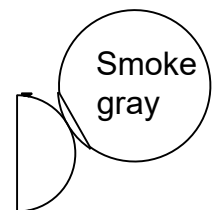
Put the glass cover on  
the aluminum parts

8



Turn on the general switch

9



Smoke  
gray