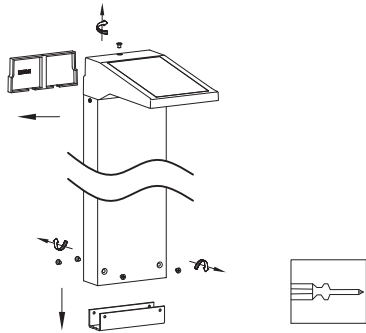
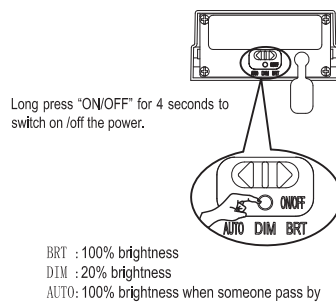


1



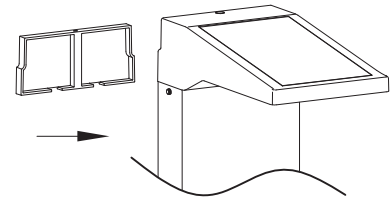
Dismantle parts by untying screws

2



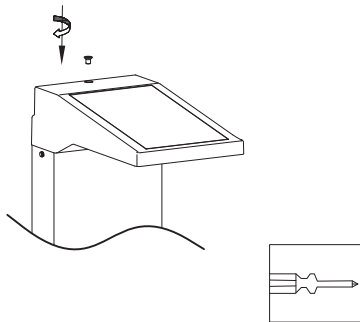
Make adjustments

3



Put the back plate into place

4



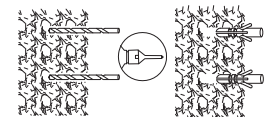
Tie up screws

5



Mark holes

Bollard light 6a

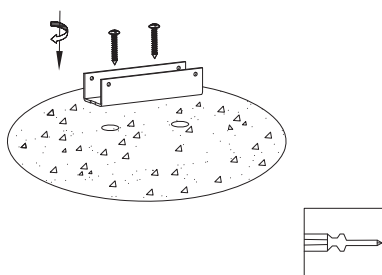


Recommend to install in the place under direct sunlight for 4-6 hours.



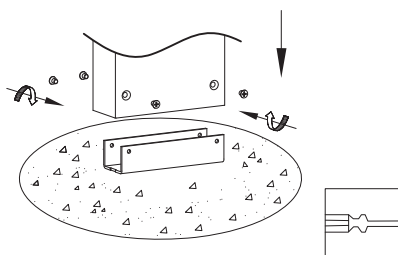
Make holes, apply plastic anchors

7a



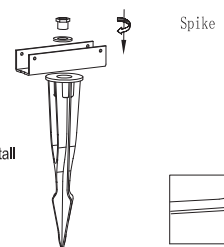
Tie up brackets by screws

8a



Tie up side screws

Spike 6b



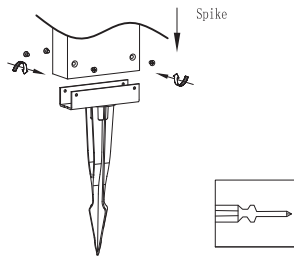
Recommend to install in the place under direct sunlight for 4-6 hours.



Tie up screws to make it stable

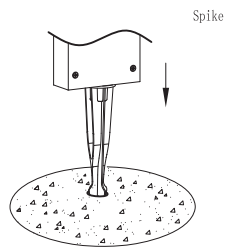


7b



Tie up parts together
& fix it in place

8b



Insert into the soil

9

