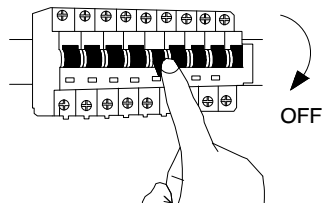
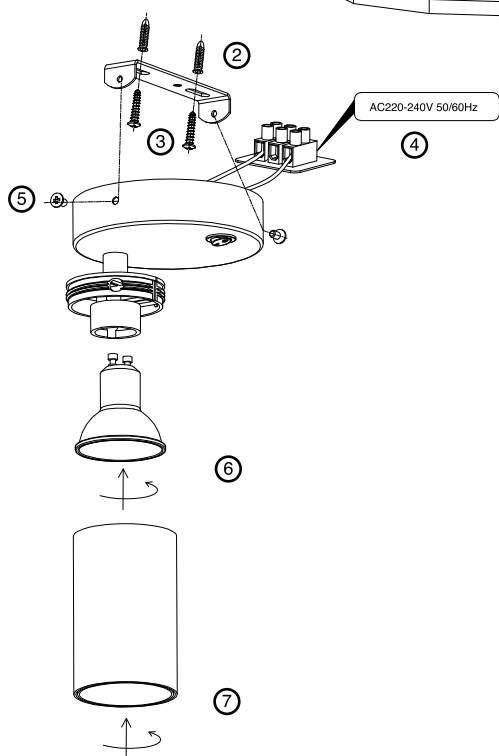


1

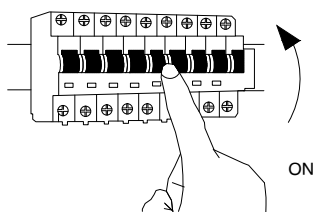


Turn off the general switch



2. Align, mark & drill holes & apply plastic anchors
3. Fix the base into place by applying screws
4. Connect wires
5. Apply side screws to make it stable
6. Insert the bulb by rotating
7. Apply th cap by rotate

8



Turn on the general switch

9

