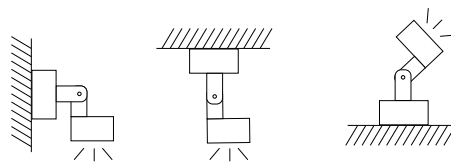
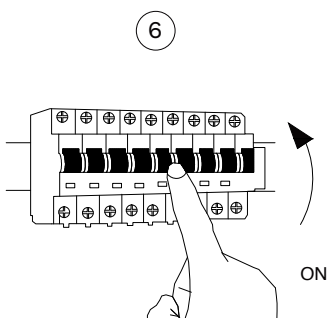


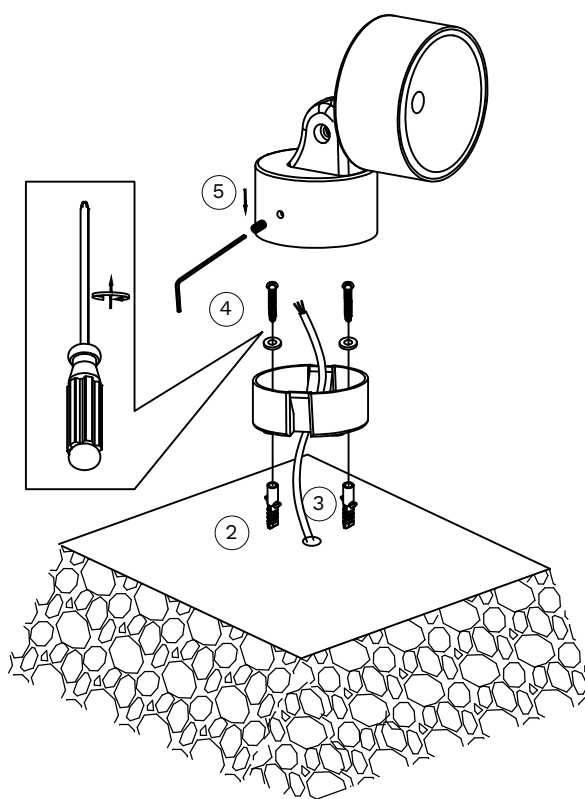
Turn off the general switch



Apply at any direction



Turn on the general switch



1. Turn off general switch
2. Drill holes & apply plastic anchors
3. Connect the wires
4. Tie up screws
5. Fix it in place by tying up the side screws
6. Turn on the general switch

