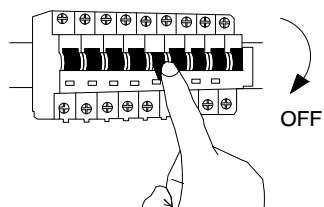
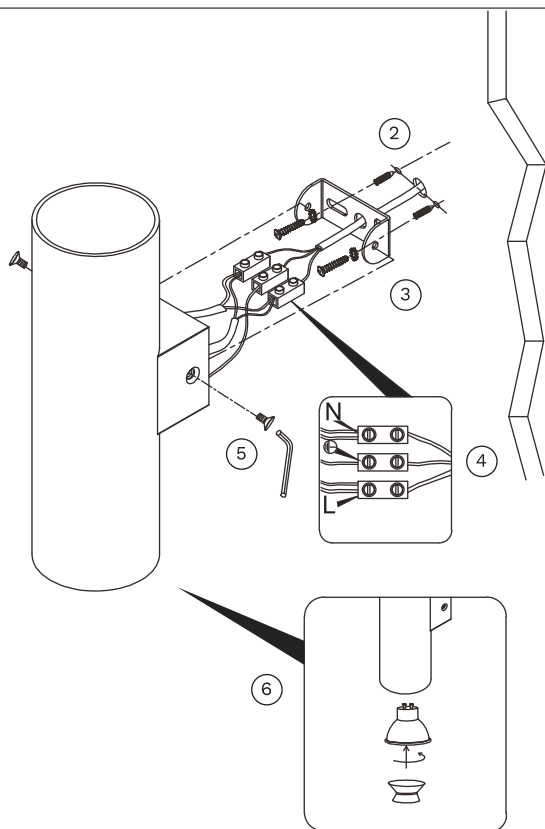


1

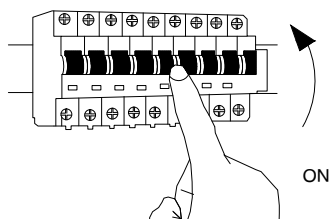


Turn off the general switch



2. Mark & drill holes & apply plastic anchors
3. Apply screws
4. Connect wires
5. Apply side screws
6. Insert bulb by rotating

6



Turn on the general switch

7

