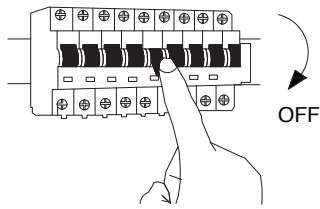


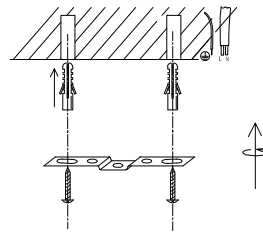
NOVA LUCE

9586702

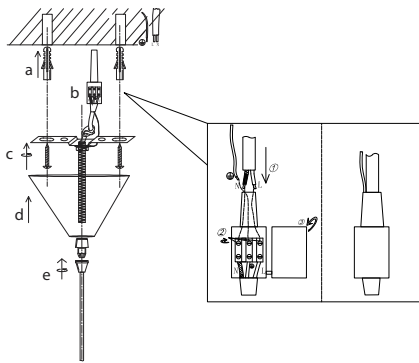
↓ x2 ⚡ x2



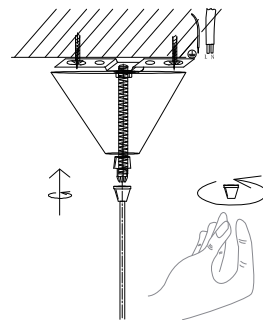
1. Turn off the general switch



2. Drill holes, apply plastic anchors & screws



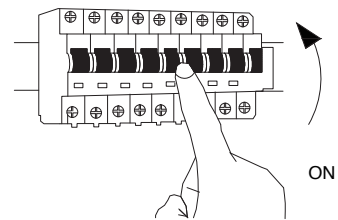
3. Connect the wires



4. Apply the cap by rotating



5. Insert the bulb by rotating



6. Turn on the general switch

