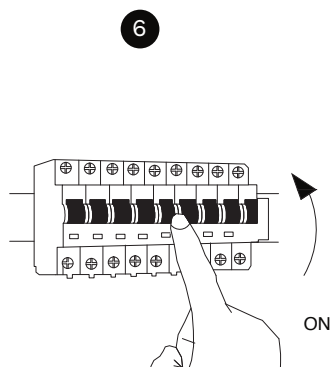
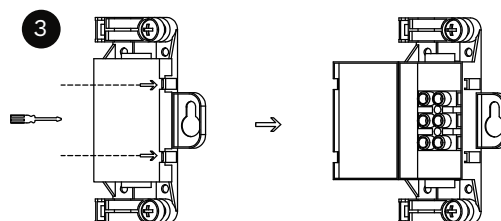
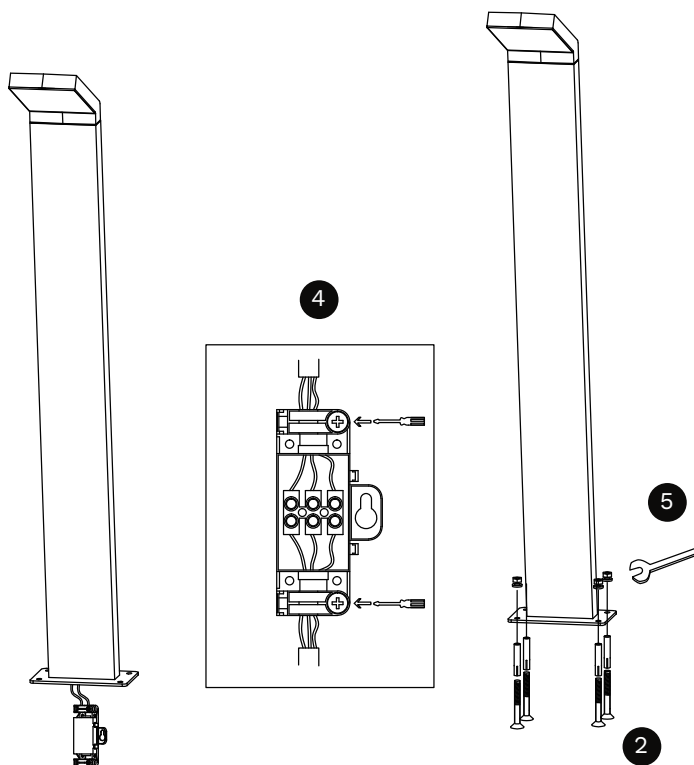


Turn off the general switch



Turn on the general switch



1. Turn off the general switch
2. Drill holes & apply nuts
3. Open the cable box
4. Connect the wires and fix the screw
5. Apply the nuts
6. Turn on the general switch

