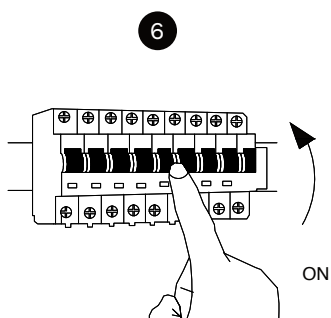
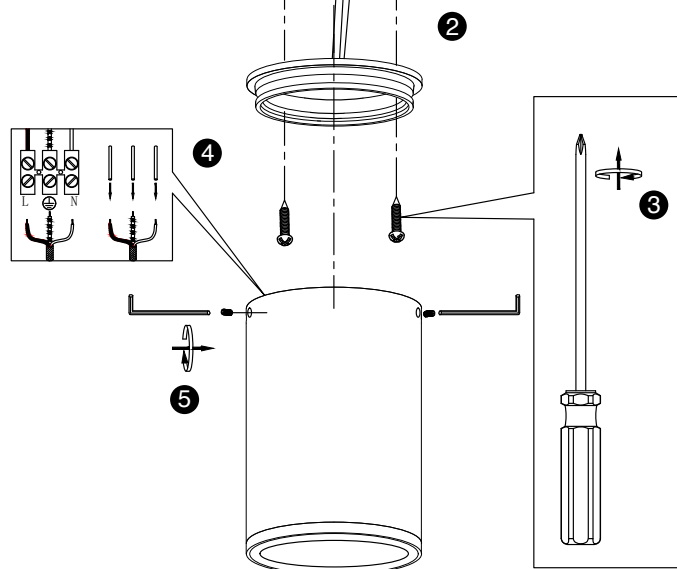
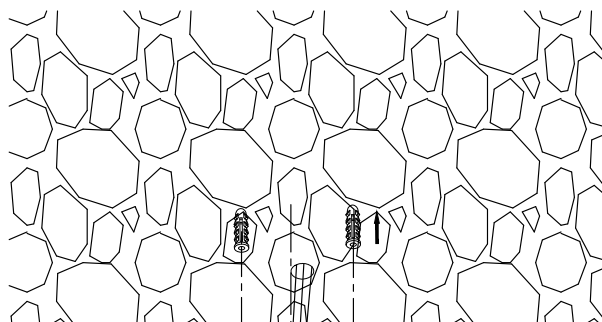


Turn off the general switch



Turn on the general switch

1. Turn off general switch
2. Drill a holes, apply plastic anchors
 3. Apply Screws
 4. Connect the wires
5. Put it in place & Apply side screws
6. Turn on the general switch

