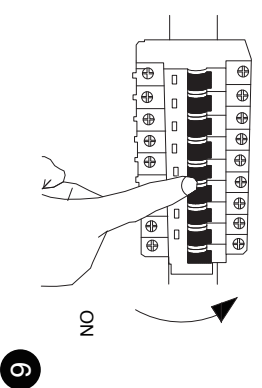
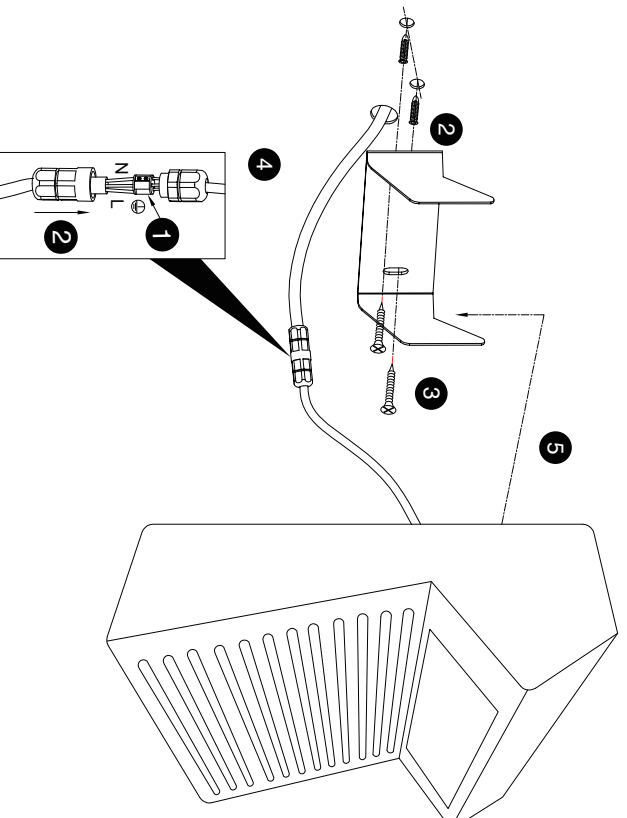
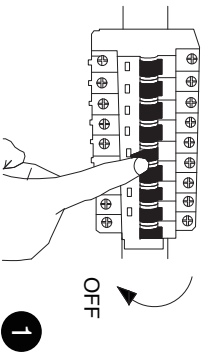


NOVA LUCE

9186703



1. Turn off the general switch
2. Drill holes & apply plastic screws
3. Apply screws

4. Connect the wires
5. Put the product in place
6. Turn on the general switch