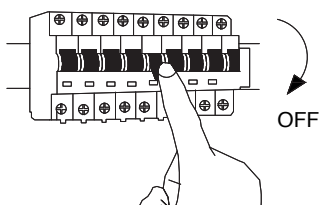
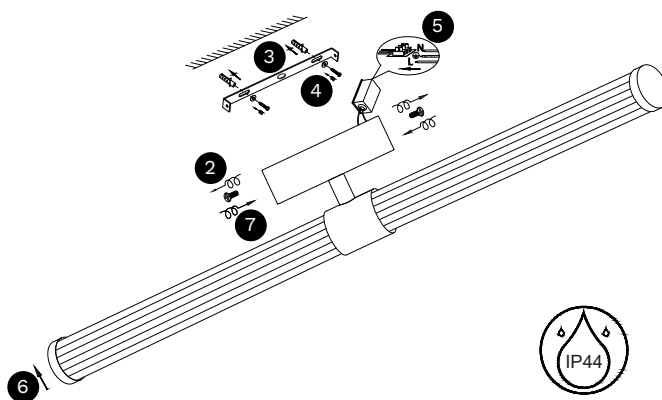


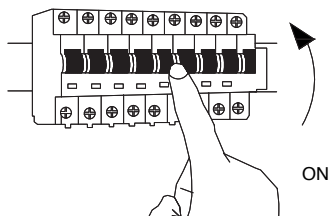
1



Turn off the general switch



8



Turn on the general switch

1. Turn off general switch
2. Remove side screws
3. Drill holes apply plastic anchors
4. Apply screws
5. Connect wires
6. Place the element in place
7. Apply side screws
8. Turn on the general switch

