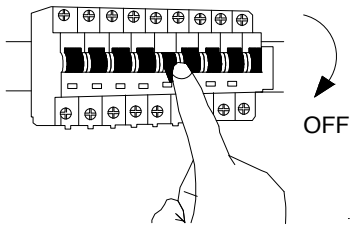
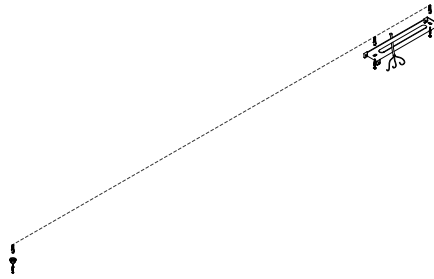


# NOVA LUCE

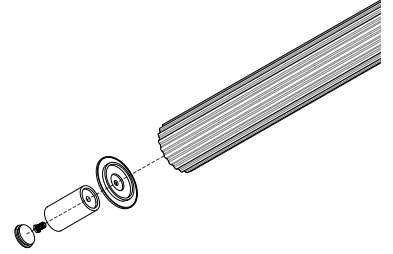
9088204



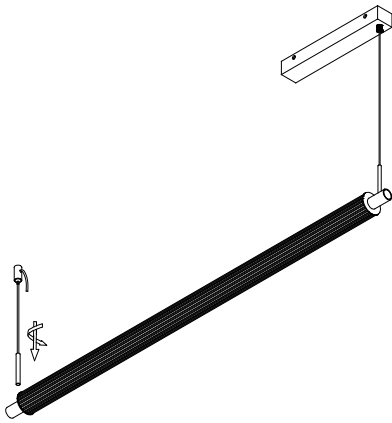
1. Turn off the general Switch



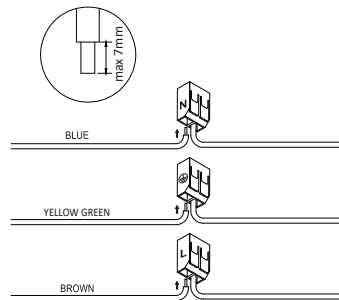
2. Apply plastic anchors & fix the screws to make it stable



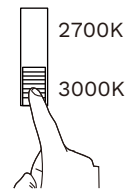
3. Assemble the glass by rotating them



4. Assemble the tube by rotating them

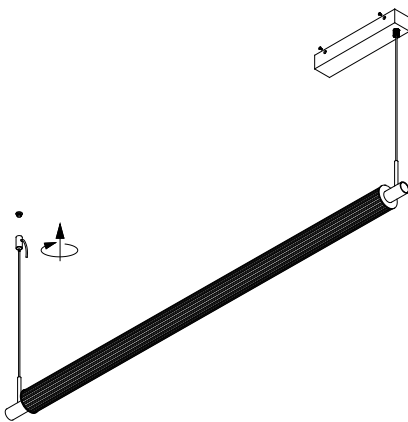


5. Connect the 3 wires

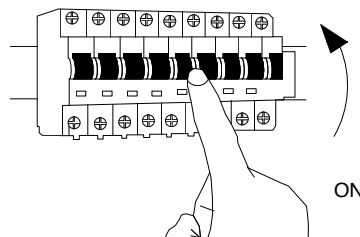


**ATTENTION!**  
Turn off the light  
befor changing the  
color temperature

6. changing the color temperature



7. Apply the side screws



8. Turn on the general Switch