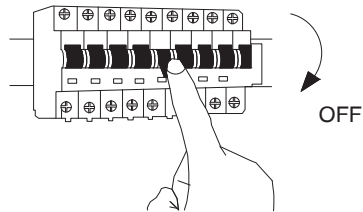


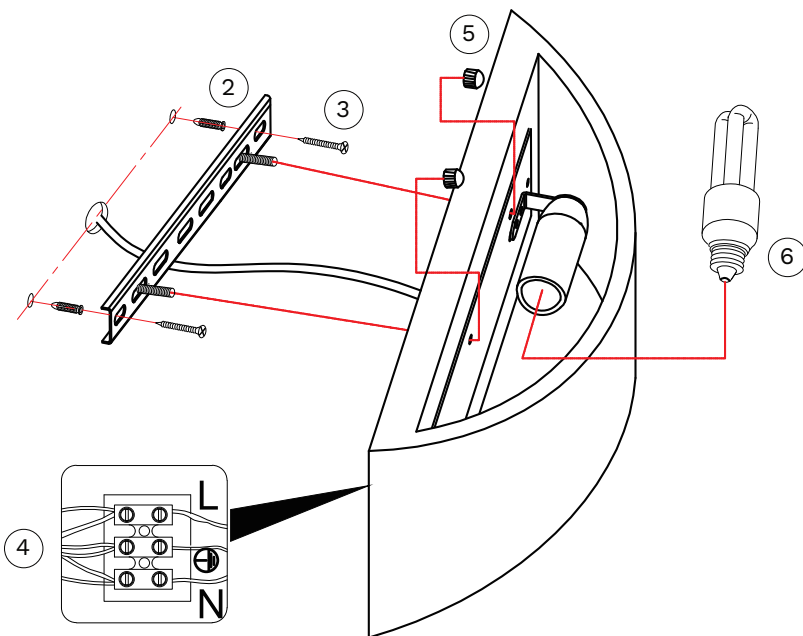
NOVA LUCE

61702401

1

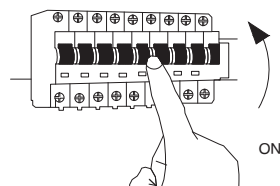


Turn off the general switch



2. Align, mark & drill holes & apply plastic anchors
3. Tie up screws
4. Connect wires
5. Assemble parts by tying up the nuts
6. Insert the bulb by rotating

6



Turn on the general Switch

