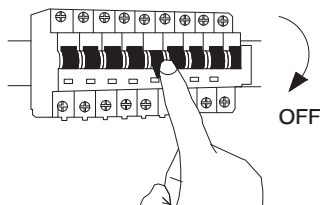


# NOVA LUCE

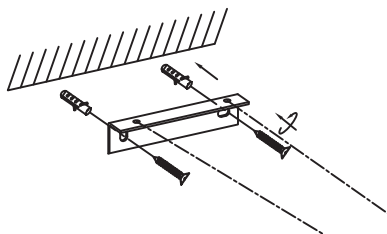
9824060/ 9824061

1



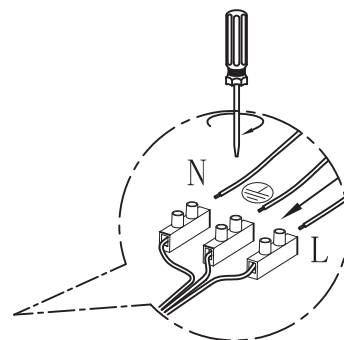
Turn off the general switch

2



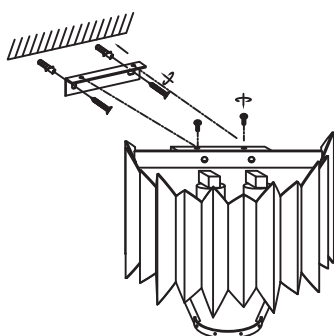
Align, mark & drill holes  
Tie up the screws

3



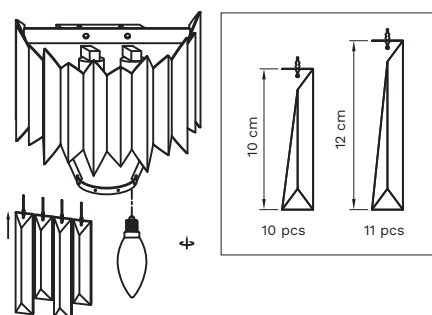
Connect wires

4



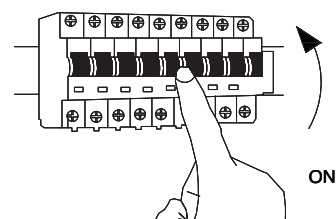
Tie up the screws downwards  
to make it stable

5



Insert the bulb by rotating  
& connect the pieces into place

6



Turn on the general switch

7

