

NOVA LUCE

PRODUCT DATASHEET

Version: 001

PRODUCT PHOTOGRAPH



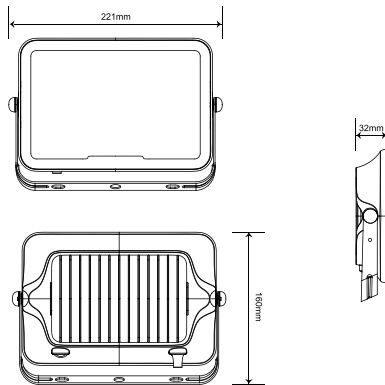
GENERAL INFORMATION

| | |
|-------------------------|-------------|
| Product Code | 9050810 |
| Product Category | Floodlights |
| Product Family | Grotto |
| Mounting Location | Ground/Wall |
| Application Environment | Outdoor |

DIMENSION & WEIGHT

| | |
|--------------|----------------------|
| LxWxH (cm) | L: 22.1 W: 3.2 H: 16 |
| Cut out (cm) | - |
| Weight (Kgr) | 0.61 |

TECHNICAL DRAWING



MATERIAL & COLOR

| | |
|----------------|-----------|
| Product Color | Black |
| Body Material | Aluminium |
| Cover Material | N/A |

APPLICATION & MOUNTING

| | |
|----------------------------|-----------|
| Ambient Working Temp. | Max 40 oC |
| Type of Protection | IP66 |
| Protection Class IK | IK06 |
| Dimmable | N/A |
| Type of Dimming (Optional) | N/A |
| Mounting type | Surface |
| Mounting Depth (cm) | N/A |
| Led Module Replaceable | No |
| Light Source | Led |

COMPATIBLE WITH

- On/Off Driver: Included
- Triac Driver: N/A
- Dali Driver: N/A

NOVA LUCE S.A

Schimatari Viotias
32009, Greece

+30 22620 58 121
+30 22620 56 743

info@novaluce.com
www.novaluce.com



NOVA LUCE

PRODUCT DATASHEET

Version: 001

ELECTRICAL DATA

| | |
|-------------------------|-------------------|
| Power (Nominal) | 50W |
| Input voltage (Nominal) | 220-240Vac |
| Mains Frequency | 50/60Hz |
| Output voltage | N/A |
| Output Current | N/A |
| Power Factor | 0.9 |
| Efficiency | N/A |
| SVM | N/A |
| Pst | N/A |
| Class | I |

PHOTOMETRICAL DATA

| | |
|---------------------------|-------------------|
| Luminous Flux | 5000lm |
| Luminous Efficacy | 100lm/w |
| Color Temperature | 3000K |
| Light Color (Designation) | Warm white |
| CRI | >80 |
| Step MacAdam | <6 |
| Beam Angle | 120° |
| UGR | N/A |

LIFESPAN

| | |
|----------|---------------|
| Lifetime | 30000h |
|----------|---------------|

CERTIFICATES

| | |
|--------------|-----------|
| Certificates | CE |
|--------------|-----------|

WARRANTY

| | |
|----------|----------------|
| Warranty | 5 years |
|----------|----------------|

LIGHT DISTRIBUTION

NOVA LUCE S.A

Schimatari Viotias
32009, Greece

+30 22620 58 121
+30 22620 56 743

info@novaluce.com
www.novaluce.com

