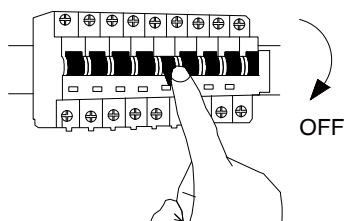


NOVA LUCE

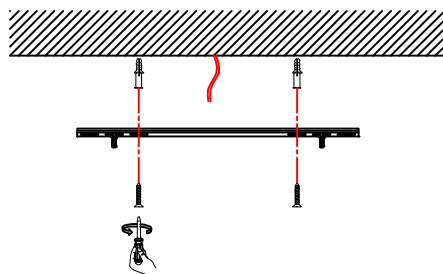
9601007

1



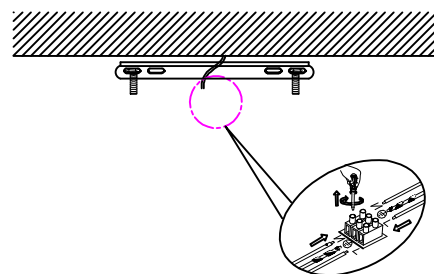
Turn off the general switch

2



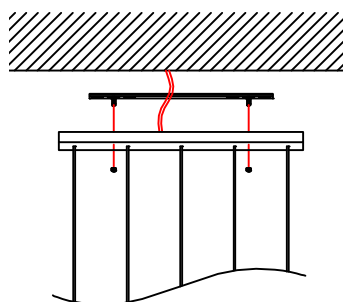
Mark & drill holes
Apply plastic anchors & tie up screws

3



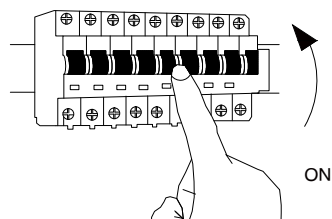
Connect wires

4



Apply screws to make it stable

5



Turn on the general switch

