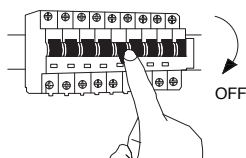


NOVA LUCE

9555813 / 9555814 / 9555815

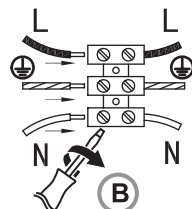
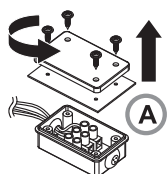
9555816 / 9555817 / 9555818

1

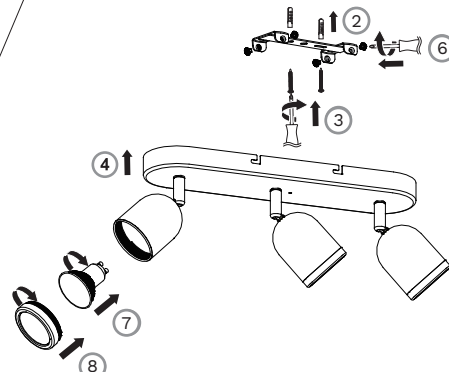
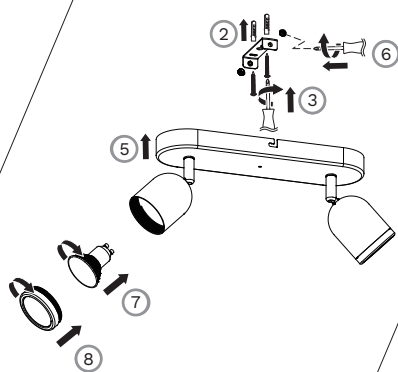
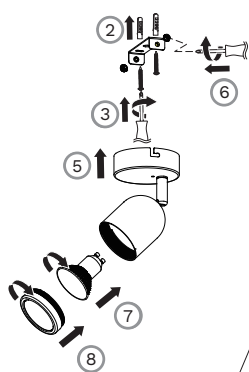
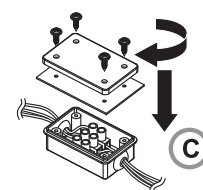


Turn off the general switch

4



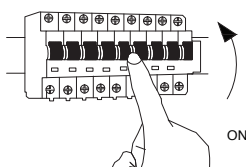
L= Brown or Red
N= Blue
⊕= Green / Yellow



2. Make holes & apply plastic anchors
3. Apply screws
4. Connect wires
5. Place the product in to place

6. Apply the side screws
7. Insert the bulb/bulbs by rotating
8. Apply the end cap by rotating

9



Turn on the general switch

