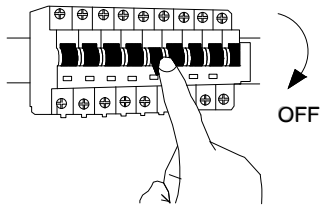


# NOVA LUCE

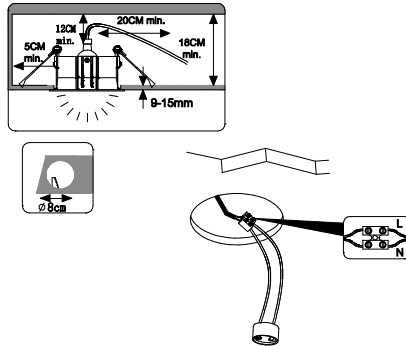
9110113

1



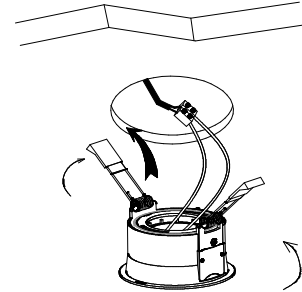
Turn off the general switch

2



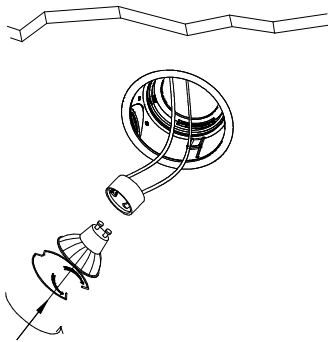
Create a cut out  
Connect the wires

3



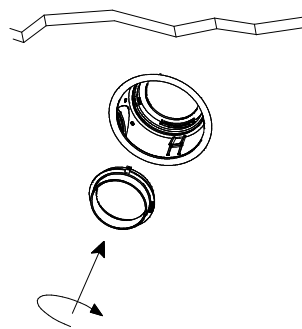
Apply the product and make it stable

4



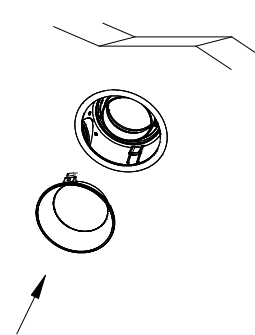
Place the bulb in place

5



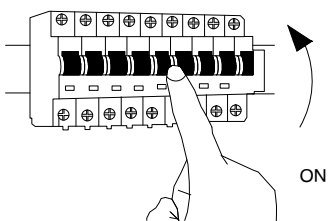
Make it stable with the cap

6



Apply the top cap

7



Turn on the general switch

8

