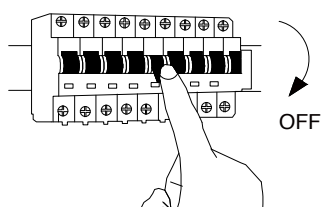
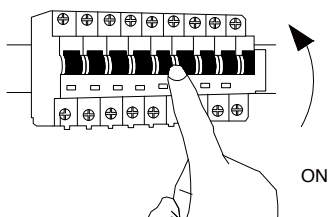


1

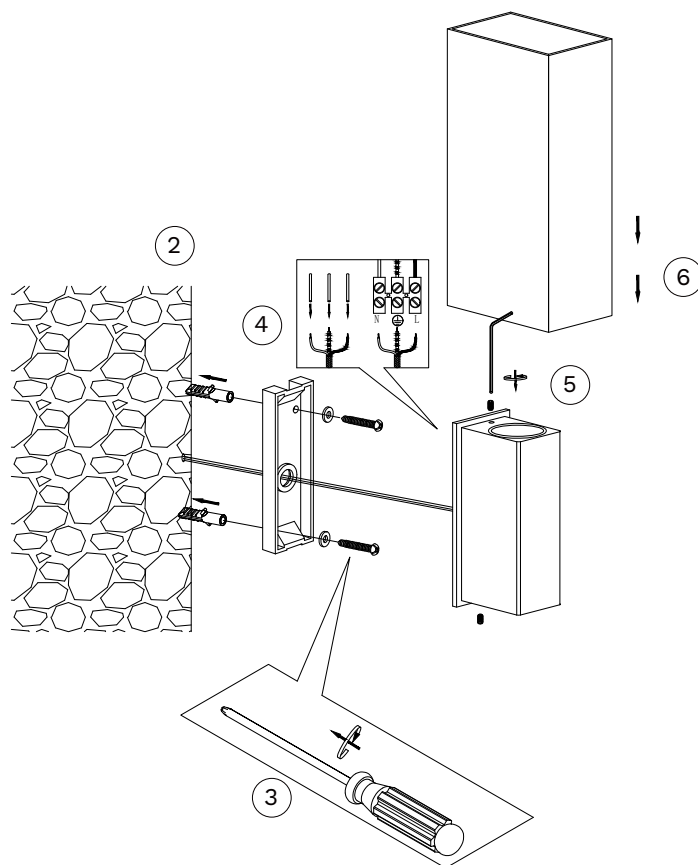


Turn off the general switch

7



Turn on the general switch



1. Turn on the general switch
2. Drill holes & apply plastic anchors with screws
3. Tight them up

4. Connect the wires
5. Apply the screws to make it stable
6. Place the remaining part in to place
7. Turn on general switch

