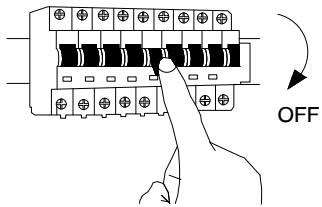


NOVA LUCE

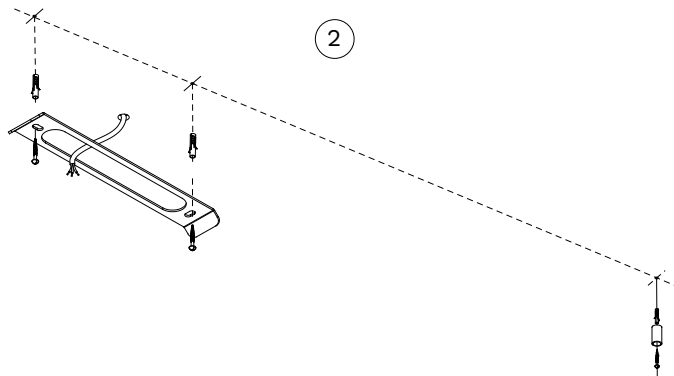
9580925

1



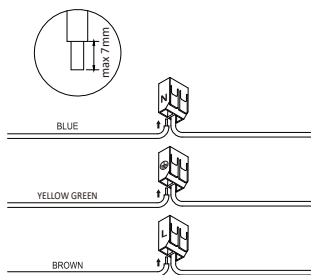
Turn off the general switch

2



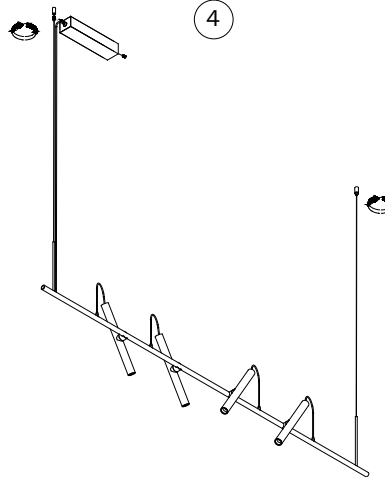
Align, Mark and drill holes to apply screws

3



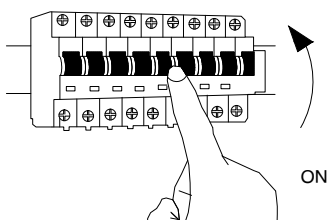
Connect the wires

4



Apply the side screws

5



Turn on the general switch

