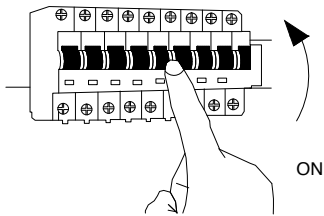


NOVA LUCE

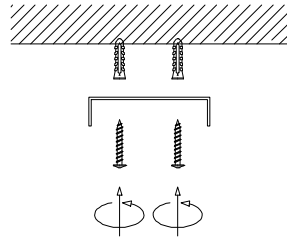
9006051

1



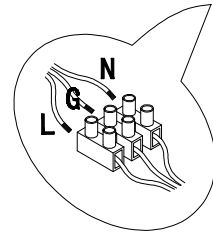
Turn off the general switch

2



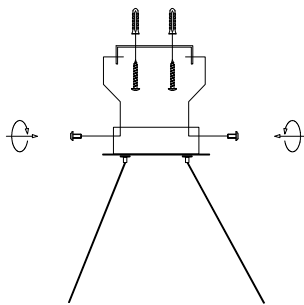
Align, mark & drill holes,
Apply plastic anchors & tie up screws

3



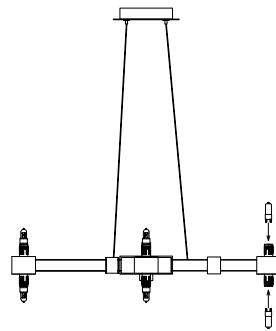
Connect wires

4



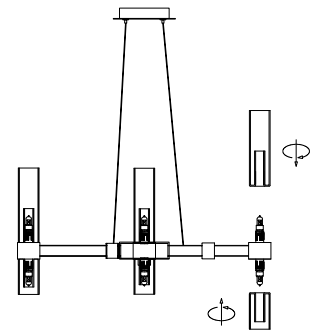
Fix it in place
by tying up side screws

5



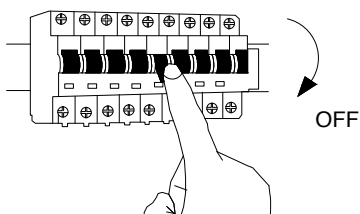
Insert the bulbs

6



Tie up the caps by rotate

7



Turn on the general Switch

