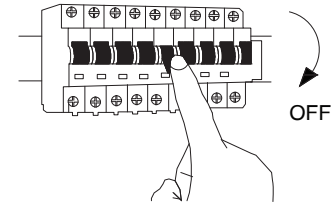
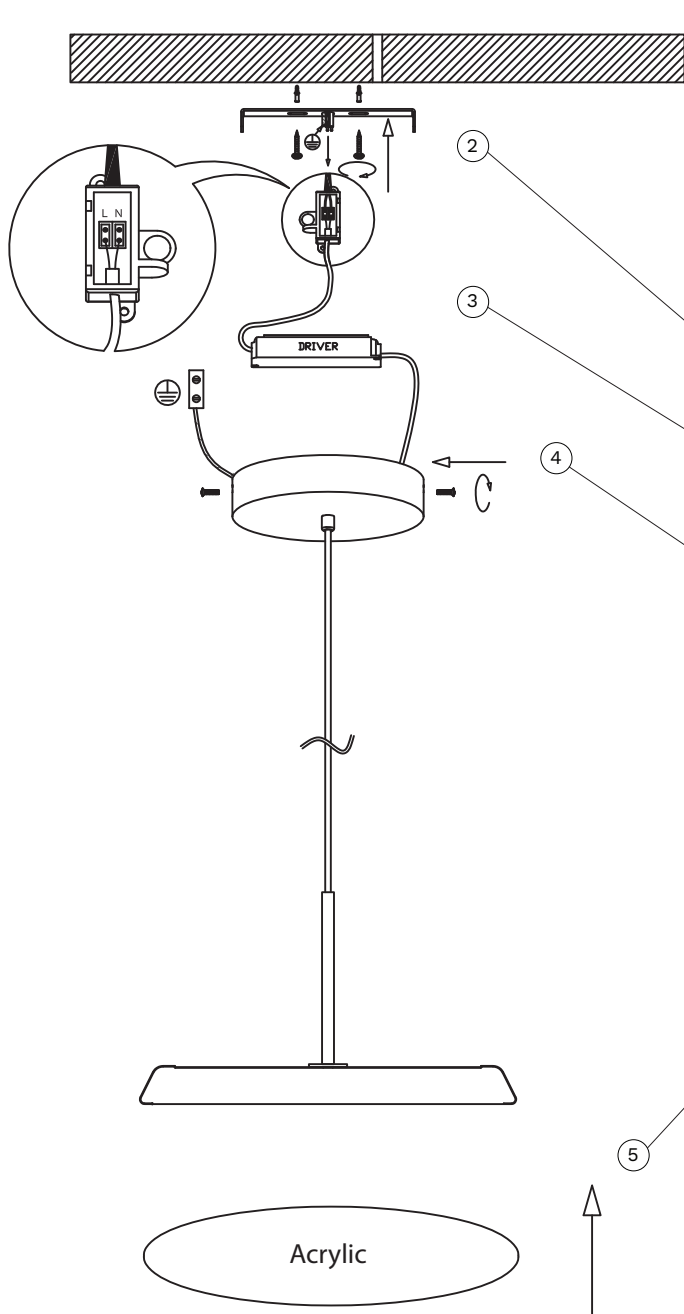


NOVA LUCE

9695321



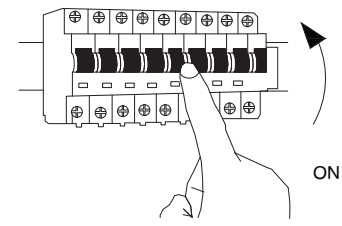
1. Turn off the general switch

2. Align, mark & drill holes, apply plastic anchors & tight up screws

3. Connect wires

4. Apply side screws

5. Insert part by pressing it upwards



6. Turn on the general switch

