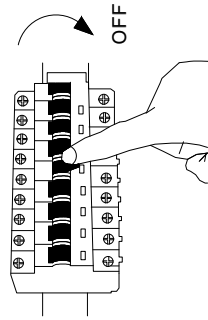


NOVA LUCE

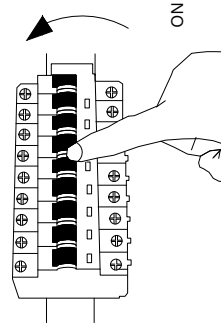
741661 741662

1

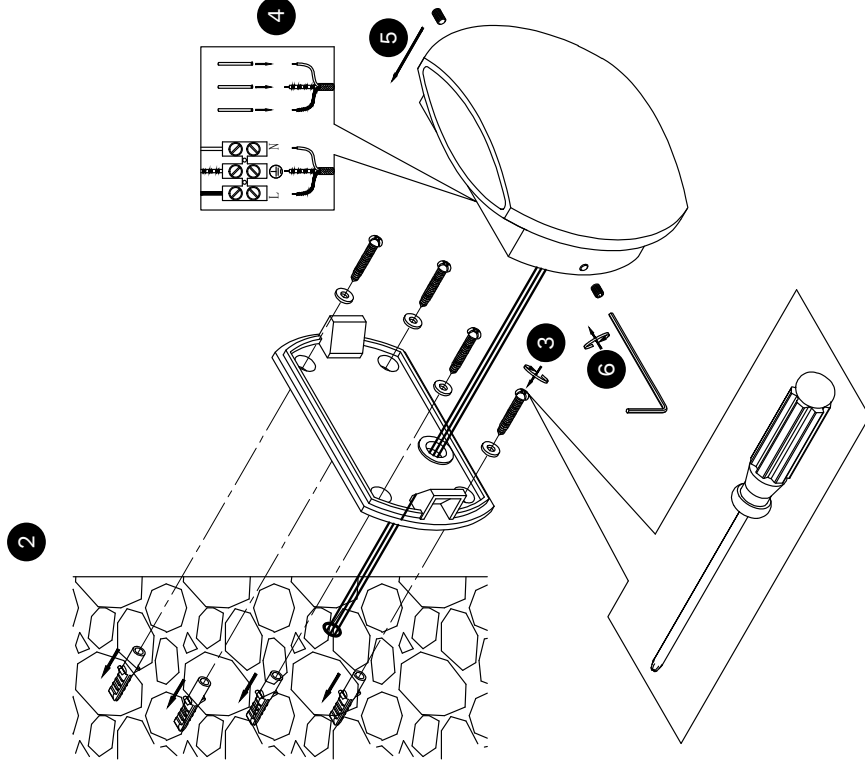


Turn off the general switch

7



Turn on the general switch



1. Turn off the general switch
2. Drill holes & apply plastic anchors
3. Apply the screws
4. Connect the wires
5. Place the product in to place
6. Apply the side screws
7. Turn on the general switch

